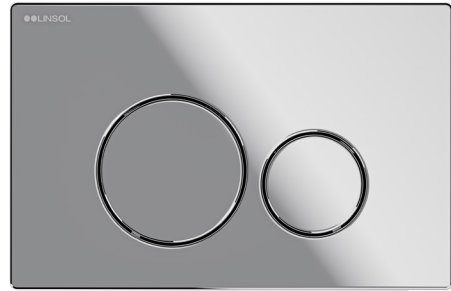
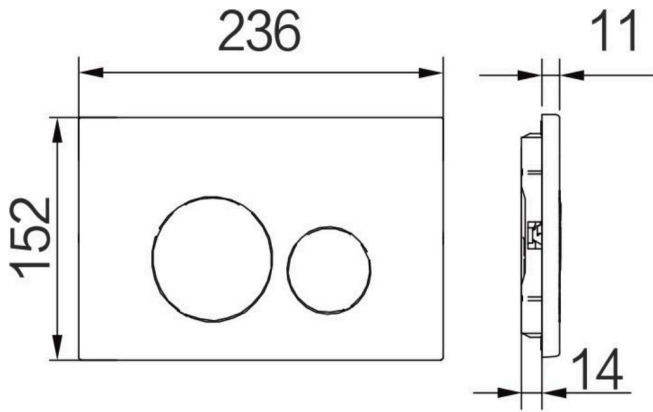


# Anchor Dual Flush Plate

Chrome



## Product Specifications

Code	ANC-01-SFP-CH
Barcode	9339897002097
Material	304 Stainless Steel

Size	236(L) x 152mm(W)
To Suit	MIWC-80mm
Dual Flush	

Experience, *the difference.*



LINSOL.COM.AU

☎ 1300 546 765

@ info@linsol.com.au

✉ PO Box 88, Coniston NSW 2500

Warranty is for domestic use only. All information is correct as at time of writing.  
The actual product may vary slightly and sizes may be scaled up or down