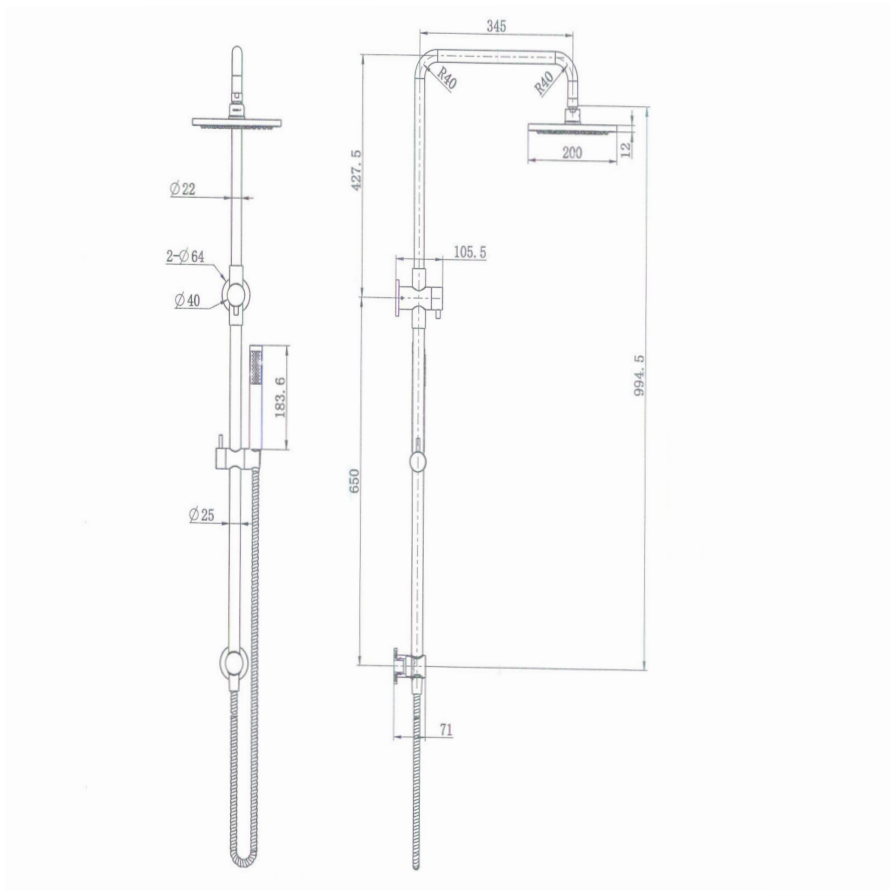


# Avanti Shower Combination

Matte Black



## Product Specifications

Code	AVANT-035-MATBLA	WELS Rating	3 Star
Barcode	9339897006217	WELS Reg No	S06780
Finish	Matte Black	WELS L/MIN	6L /Min
Material	Brass	Spindle	1/2 Turn Ceramic Disc
		Top Water Inlet	

Experience, *the difference.*



LINSOL.COM.AU

☎ 1300 546 765

@ info@linsol.com.au

✉ PO Box 88, Coniston NSW 2500

Warranty is for domestic use only. All information is correct as at time of writing.  
The actual product may vary slightly and sizes may be scaled up or down