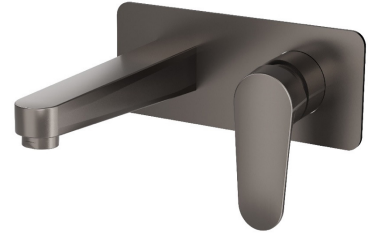
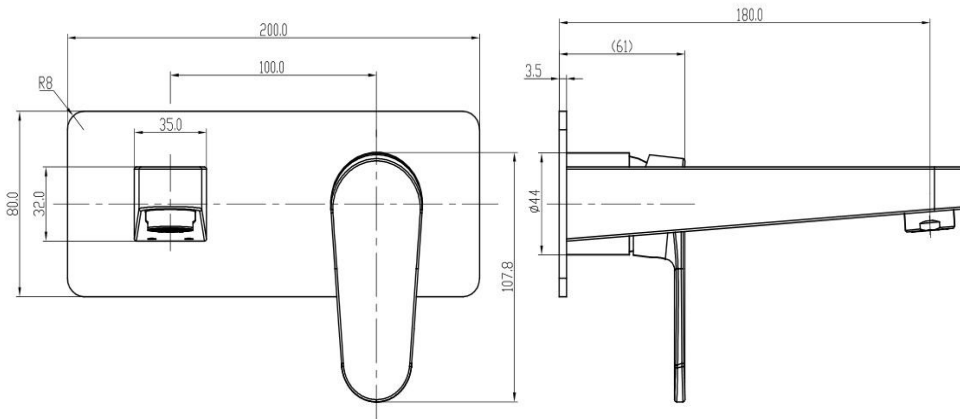


Avanti Wall Basin Mixer

Gunmetal



Product Specifications

Code	AVANT-GM-09
Barcode	9339897000284
Material	Brass
Finish	Gunmetal

Cartridge	35mm
WELS Reg No	T16928
WELS Rating	5 Star
WELS L/Min	6L/Min

Experience, *the difference.*



LINSOL.COM.AU

☎ 1300 546 765

@ info@linsol.com.au

✉ PO Box 88, Coniston NSW 2500

Warranty is for domestic use only. All information is correct as at time of writing.
The actual product may vary slightly and sizes may be scaled up or down