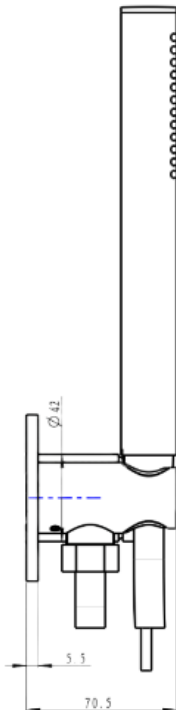
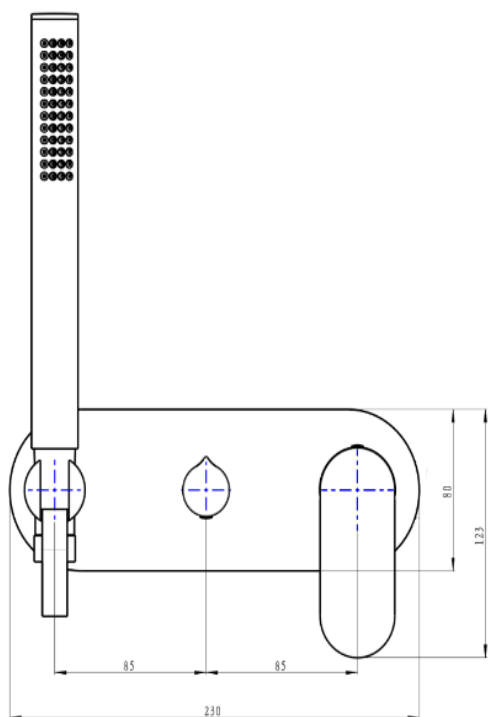


# Capo 1-Plate Wall Mixer with Hand Shower Trim Kit

Brushed Brass



## Product Specifications

Code CAP-07-1P-TK-BB

Barcode 9339897014076

Material Low Lead Brass

Finish Brushed Brass

*Experience, the difference.*



LINSOL.COM.AU

☎ 1300 546 765

@ info@linsol.com.au

✉ PO Box 88, Coniston NSW 2500

Warranty is for domestic use only. All information is correct as at time of writing.  
The actual product may vary slightly and sizes may be scaled up or down