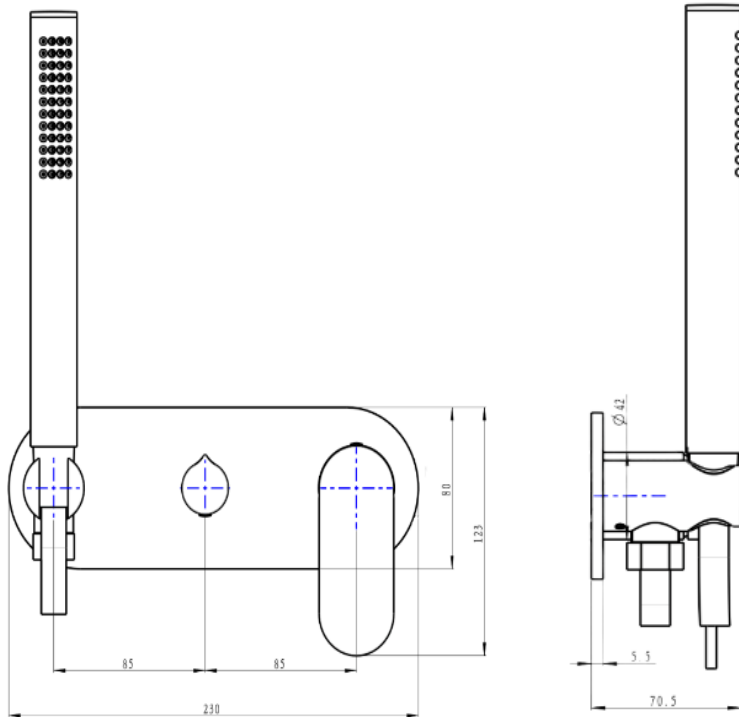


# Capo 1-Plate Wall Mixer with Hand Shower Trim Kit

Chrome



## Product Specifications

Code	CAP-07-1P-TK-CH
Barcode	9339897014045

Material	Low Lead Brass
Finish	Chrome

*Experience, the difference.*



LINSOL.COM.AU

☎ 1300 546 765

@ info@linsol.com.au

✉ PO Box 88, Coniston NSW 2500

Warranty is for domestic use only. All information is correct as at time of writing.  
The actual product may vary slightly and sizes may be scaled up or down