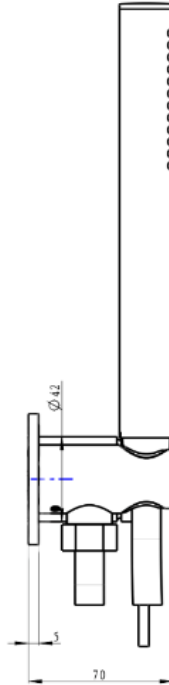
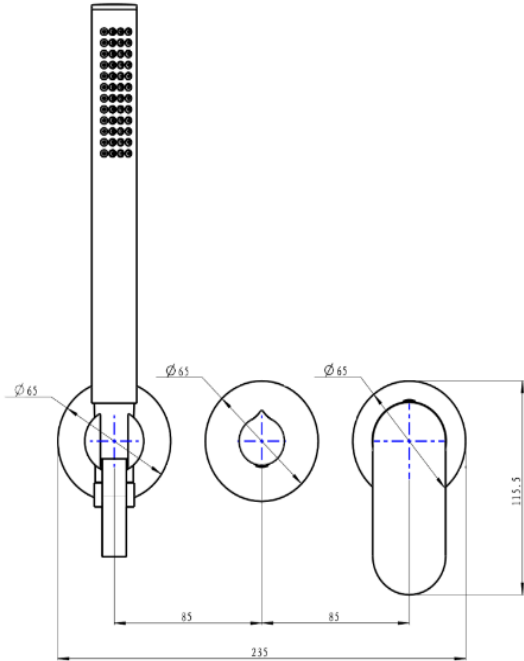


Capo 3-Plate Wall Mixer with Hand Shower Trim Kit

Brushed Brass



Product Specifications

Code CAP-07-3P-TK-BB

Barcode 9339897014175

Material Low Lead Brass

Finish Brushed Brass

Experience, *the difference.*



LINSOL.COM.AU

☎ 1300 546 765

@ info@linsol.com.au

✉ PO Box 88, Coniston NSW 2500

Warranty is for domestic use only. All information is correct as at time of writing.
The actual product may vary slightly and sizes may be scaled up or down