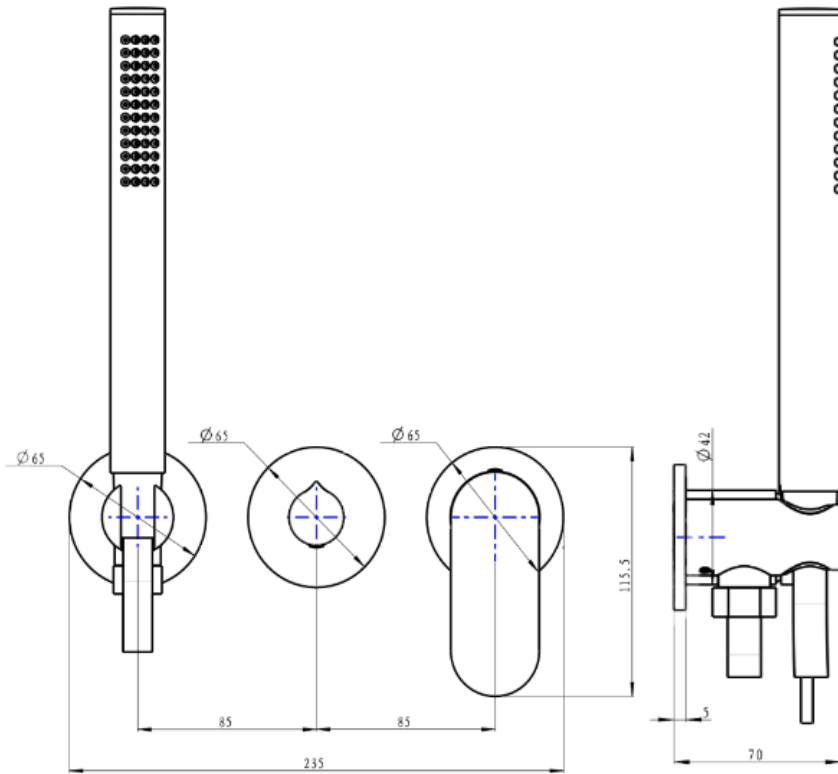


Capo 3-Plate Wall Mixer with Hand Shower Trim Kit

Matte Black



Product Specifications

Code CAP-07-3P-TK-MB

Barcode 9339897014151

Material Low Lead Brass

Finish Matte Black

Experience, *the difference.*



LINSOL.COM.AU

☎ 1300 546 765

@ info@linsol.com.au

✉ PO Box 88, Coniston NSW 2500

Warranty is for domestic use only. All information is correct as at time of writing.
The actual product may vary slightly and sizes may be scaled up or down