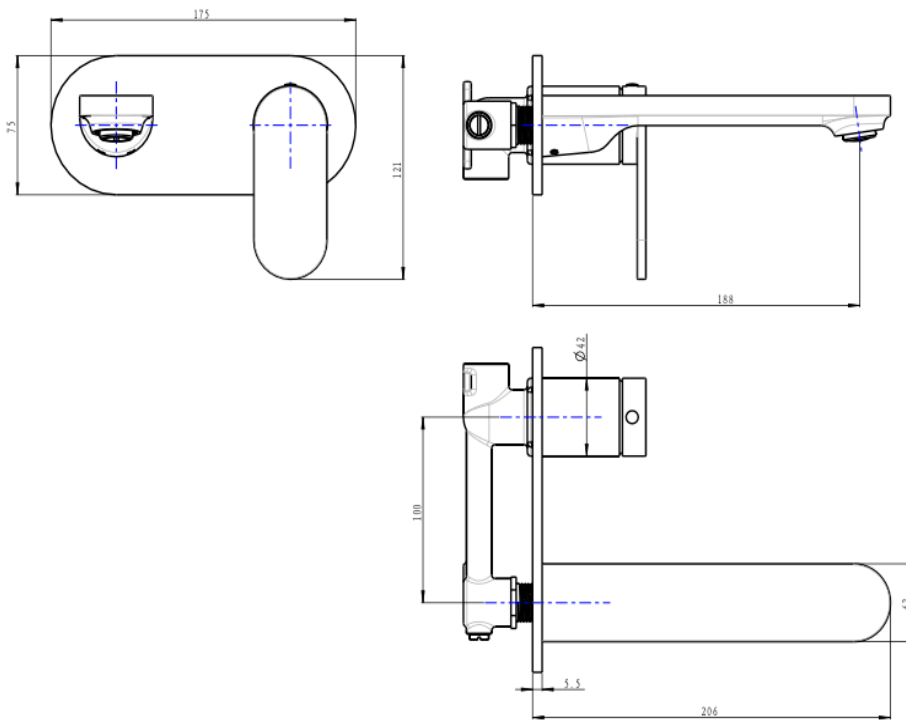


Capo 1-Plate Wall Basin or Bath Mixer

Matte Black



Product Specifications

| | | | |
|-----------|----------------|----------------|----------------------------|
| Code | CAP-09-1P-MB | Trim Kit | CAP-09-1P-TK-MB (Included) |
| Barcode | 9339897014502 | Universal Body | UNI-200 (Included) |
| Material | Low Lead Brass | WELS Reg | T42252 |
| Finish | Matte Black | WELS Rating | 5 Star |
| Cartridge | Kerox 35mm | WELS L/Min | 6L/Min |

Experience, *the difference.*



LINSOL.COM.AU

☎ 1300 546 765

@ info@linsol.com.au

✉ PO Box 88, Coniston NSW 2500

Warranty is for domestic use only. All information is correct as at time of writing. The actual product may vary slightly and sizes may be scaled up or down