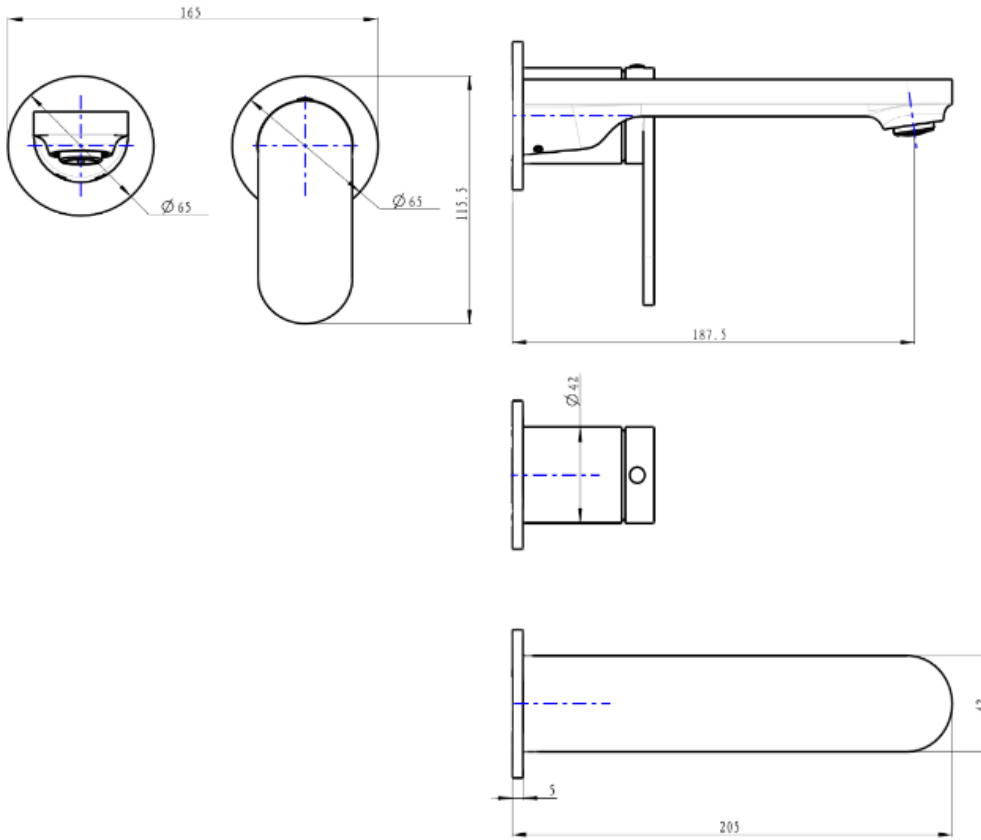


Capo 2-Plate Wall Basin or Bath Mixer Trim Kit

Gunmetal



Product Specifications

Code CAP-09-2P-TK-GM

Material Low Lead Brass

Barcode 9339897014687

Finish Gunmetal

Experience, *the difference.*



LINSOL.COM.AU

☎ 1300 546 765

@ info@linsol.com.au

✉ PO Box 88, Coniston NSW 2500

Warranty is for domestic use only. All information is correct as at time of writing.
The actual product may vary slightly and sizes may be scaled up or down