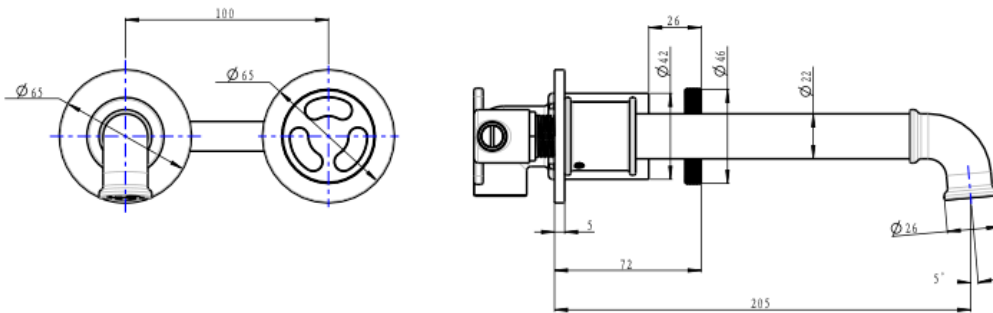


# Dynamik 2-Plate Wall Basin or Bath Mixer

Chrome



## Product Specifications

Code	DYN-09-2P-CH	Cartridge	Progressive 35mm
Barcode	9339897015851	WELS Reg	T42266
Material	Low Lead Brass	WELS Rating	5 Star
Finish	Chrome	WELS L/Min	5L/Min

Experience, *the difference.*



LINSOL.COM.AU

☎ 1300 546 765

@ info@linsol.com.au

✉ PO Box 88, Coniston NSW 2500

Warranty is for domestic use only. All information is correct as at time of writing. The actual product may vary slightly and sizes may be scaled up or down