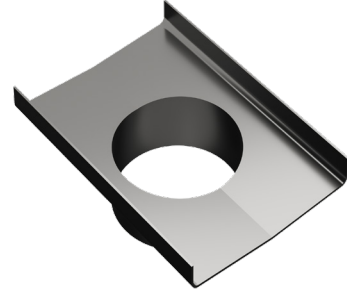
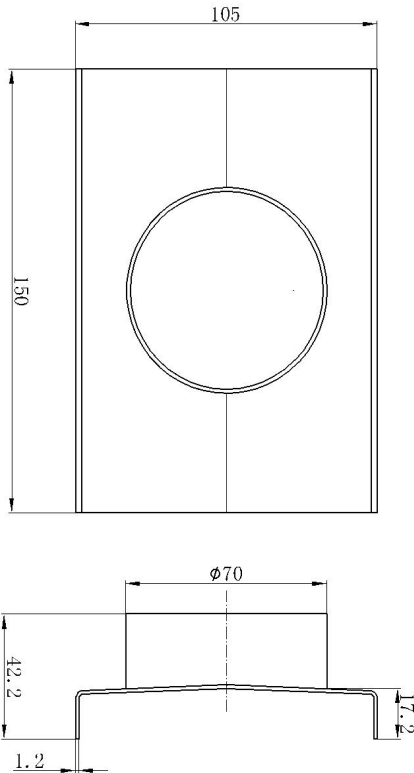


Ezyflow 24 Series 70mm Outlet

Gunmetal



Product Specifications

Code	EZY-70OUT-GM
Barcode	9339897018692
Finish	Gunmetal

Material	316 Stainless steel
Steel Thickness	1.2mm, 2.5mm Rolled Edge

Experience, *the difference.*



LINSOL.COM.AU

☎ 1300 546 765

@ info@linsol.com.au

✉ PO Box 88, Coniston NSW 2500

Warranty is for domestic use only. All information is correct as at time of writing.
The actual product may vary slightly and sizes may be scaled up or down