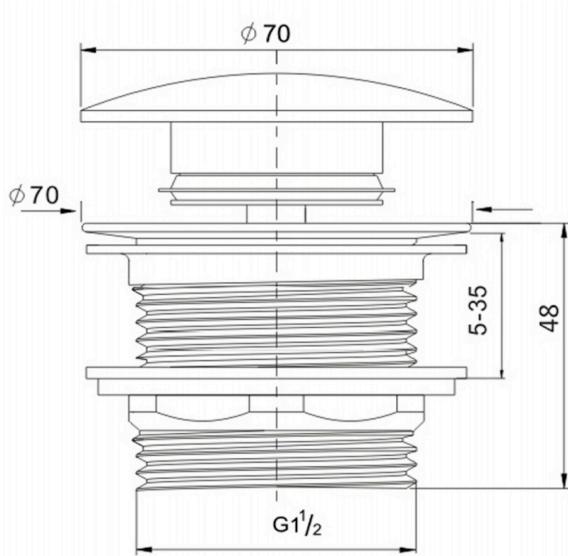


EzyFlow 40mm Pop-Up Plug & Waste

Brushed Nickel



Product Specifications

Code EZY-A245-BN

Barcode 9339897007924

Material Brass

Finish Brushed Nickel

Size 40mm

With Pull Out Cartridge

Experience, *the difference.*



LINSOL.COM.AU

☎ 1300 546 765

@ info@linsol.com.au

✉ PO Box 88, Coniston NSW 2500

Warranty is for domestic use only. All information is correct as at time of writing.
The actual product may vary slightly and sizes may be scaled up or down