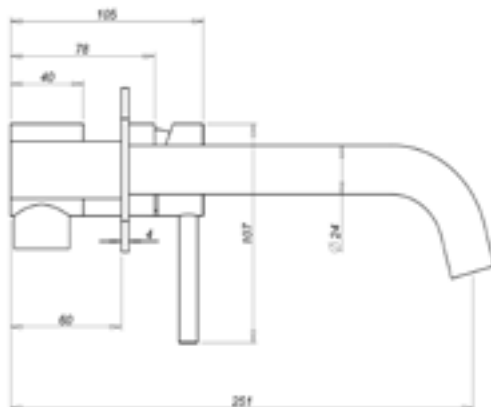
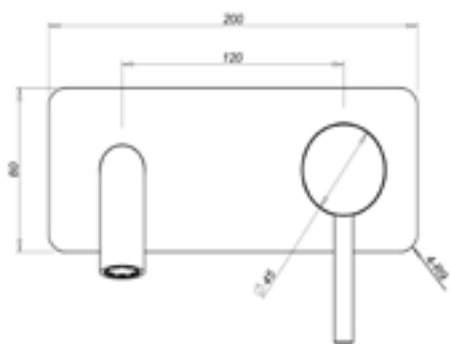


Gigi S1 Wall Basin Mixer

Brushed Brass



Product Specifications

Code	GG-S1-BB-09
Barcode	9339897008402
Material	304 Stainless Steel
Finish	Brushed Brass
Cartridge	35mm

WELS Rating	6 Star
WELS Reg	T40484
WELS L/Min	4.5L/Min

Experience, *the difference.*



LINSOL.COM.AU

☎ 1300 546 765

@ info@linsol.com.au

✉ PO Box 88, Coniston NSW 2500

Warranty is for domestic use only. All information is correct as at time of writing. The actual product may vary slightly and sizes may be scaled up or down