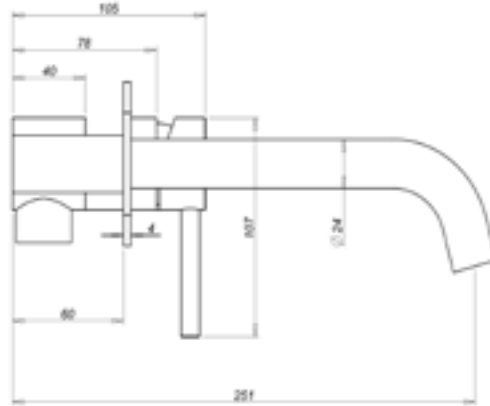
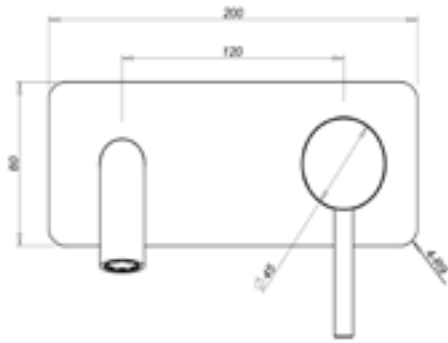


# Gigi S1 Wall Basin Mixer

Matte Black



## Product Specifications

Code	GG-S1-MB-09	WELS Rating	6 Star
Barcode	9339897008426	WELS Reg	T40484
Material	304 Stainless Steel	WELS L/Min	4.5L/Min
Finish	Matte Black		
Cartridge	35mm		

Experience, *the difference.*



LINSOL.COM.AU

☎ 1300 546 765

@ info@linsol.com.au

✉ PO Box 88, Coniston NSW 2500

Warranty is for domestic use only. All information is correct as at time of writing.  
The actual product may vary slightly and sizes may be scaled up or down