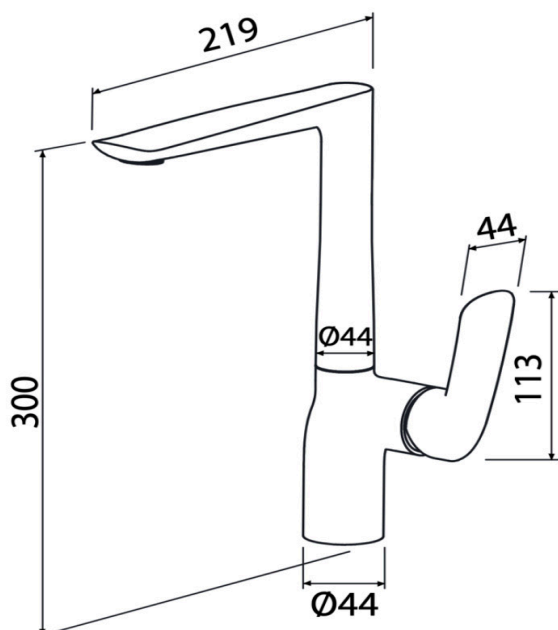


Hudson Sink Mixer

Matte Black



Product Specifications

Code	HUD-MB-02
Barcode	9339897005227
Material	Brass
Finish	Matte Black
Mixer Hole	ø35mm

Cartridge	35mm
WELS Reg No	T36408
WELS Rating	4 Star
WELS L/Min	7.5L /Min
Strengthening Plate Included For Mixer Stability on All Sinks	

Experience, *the difference.*



LINSOL.COM.AU

☎ 1300 546 765

@ info@linsol.com.au

✉ PO Box 88, Coniston NSW 2500

Warranty is for domestic use only. All information is correct as at time of writing.
The actual product may vary slightly and sizes may be scaled up or down