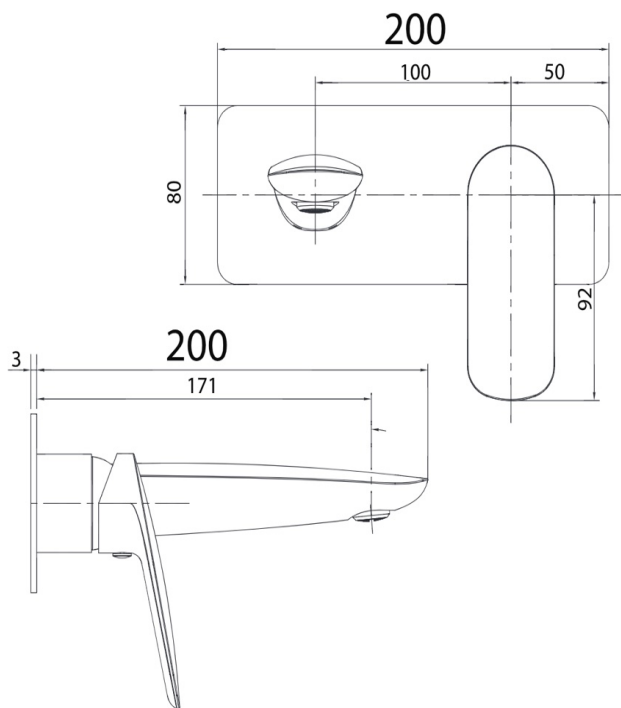


Hudson Wall Basin Mixer

Matte Black



Product Specifications

Code HUD-MB-09

Barcode 9339897005289

Finish Matte Black

Material Brass

Cartridge 35mm

WELS Reg No T36512

WELS Rating 5 Star

WELS L/Min 6L/Min

Experience, *the difference.*



LINSOL.COM.AU

☎ 1300 546 765

@ info@linsol.com.au

✉ PO Box 88, Coniston NSW 2500

Warranty is for domestic use only. All information is correct as at time of writing.
The actual product may vary slightly and sizes may be scaled up or down