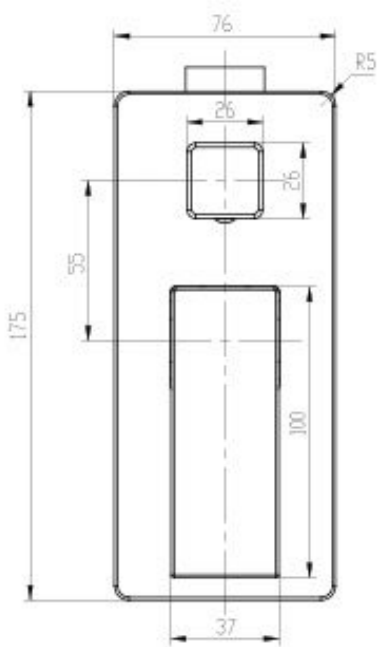
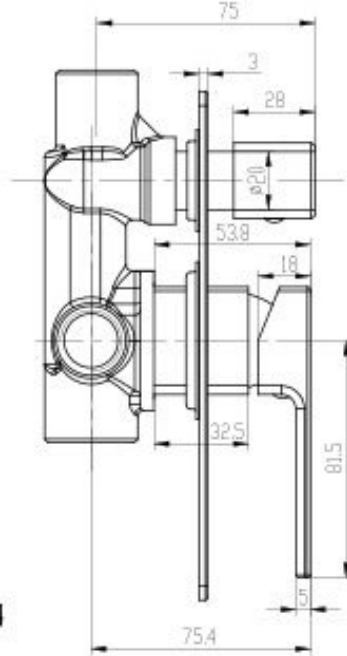


Joseph Wall Mixer with Divertor

Chrome



JOS-04



Product Specifications

Code	JOS-04
Barcode	9339897004169
Material	Brass

Finish	Chrome
Cartridge	25mm
Spindle	1/2 Ceramic Disc

Experience, *the difference.*



LINSOL.COM.AU

☎ 1300 546 765

@ info@linsol.com.au

✉ PO Box 88, Coniston NSW 2500

Warranty is for domestic use only. All information is correct as at time of writing. The actual product may vary slightly and sizes may be scaled up or down