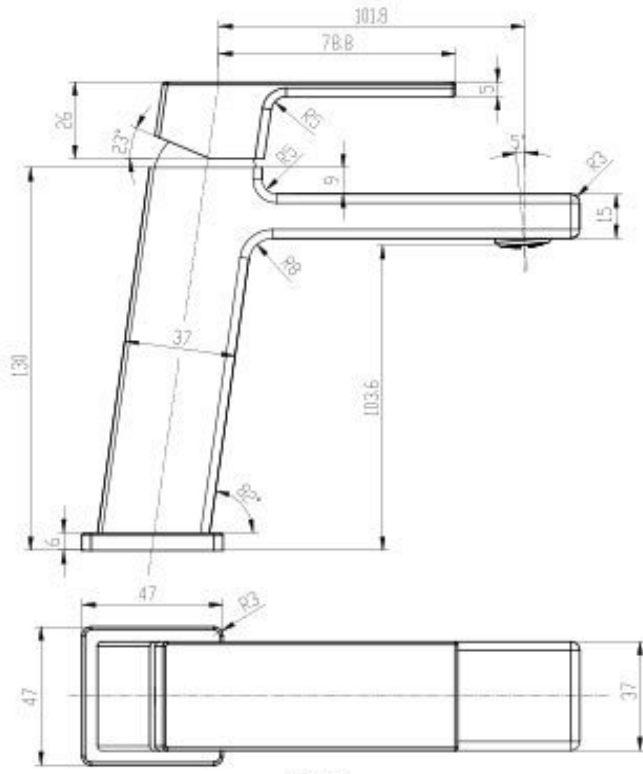


# Joseph Basin Mixer

Matte Black



## Product Specifications

Code	JOS-MB-01	Cartridge	25mm
Barcode	9339897004213	WELS Reg No	T28200
Material	Brass	WELS Rating	5 Star
Finish	Matte Black	WELS L/Min	5L /Min

Experience, *the difference.*



LINSOL.COM.AU

☎ 1300 546 765

@ info@linsol.com.au

✉ PO Box 88, Coniston NSW 2500

Warranty is for domestic use only. All information is correct as at time of writing.  
The actual product may vary slightly and sizes may be scaled up or down