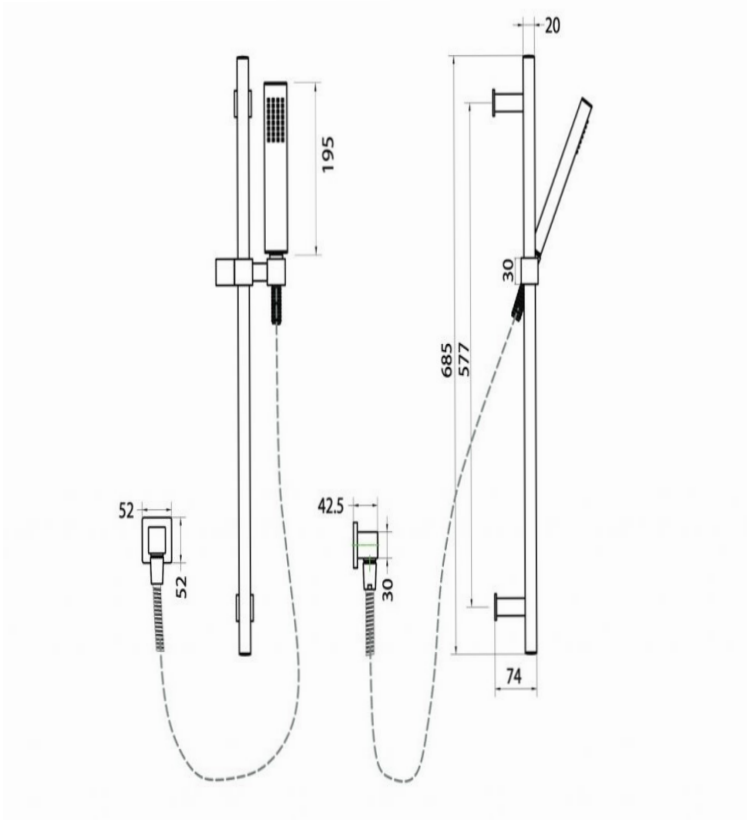


Joseph Hand Shower With Sliding Rail

Matte Black



Product Specifications

Code	JOS-MB-035SR
Barcode	9339897006279
Finish	Matte Black

Material	Brass
WELS Rating	3 Star
WELS Reg No	S10023
WELS L/MIN	7.5L /Min

Experience, *the difference.*



LINSOL.COM.AU

☎ 1300 546 765

@ info@linsol.com.au

✉ PO Box 88, Coniston NSW 2500

Warranty is for domestic use only. All information is correct as at time of writing.
The actual product may vary slightly and sizes may be scaled up or down