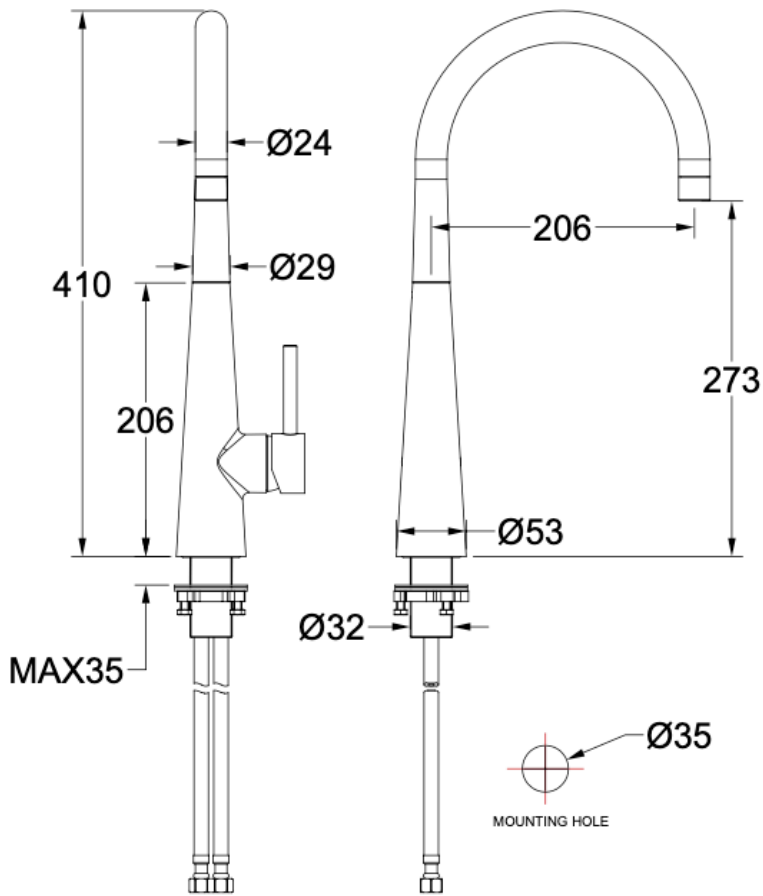


Kashi Sink Mixer

Gunmetal



Product Specifications

Code	KAS-02-GM	Mixer Hole	ø35mm
Barcode	9339897010320	WELS Reg No	T42259
Material	304 Stainless Steel	WELS Rating	5 Star
Finish	Gunmetal	WELS L/Min	5L /Min
Cartridge	35mm Kerox	With Twin Spray Technology	
Strengthening Plate Included For Mixer Stability on All Sinks			

Experience, *the difference.*



LINSOL.COM.AU

☎ 1300 546 765

@ info@linsol.com.au

✉ PO Box 88, Coniston NSW 2500

Warranty is for domestic use only. All information is correct as at time of writing.
The actual product may vary slightly and sizes may be scaled up or down