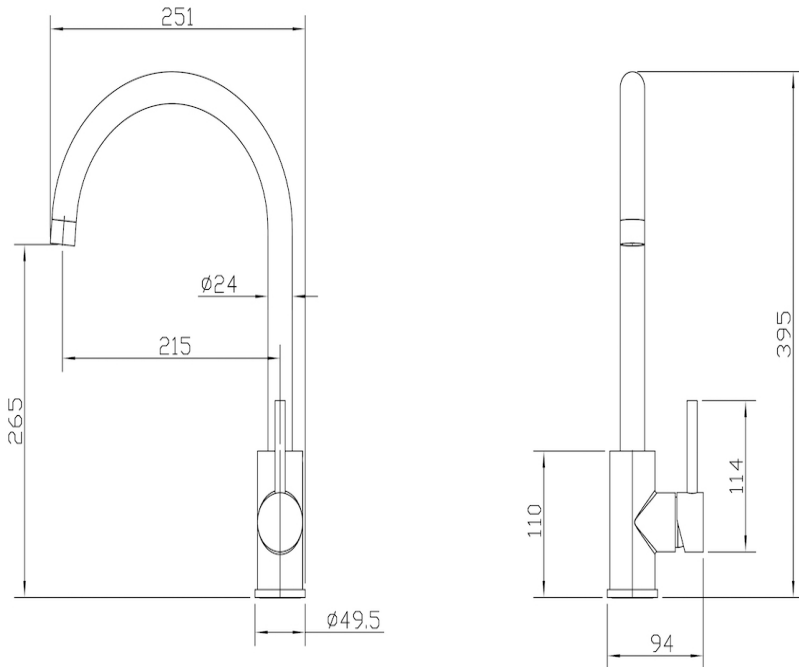


Louis Sink Mixer

Brushed Brass



Product Specifications

Code	LOU-BB-02
Barcode	9339897008600
Finish	Brushed Brass
Material	304 Stainless Steel
Cartridge	35mm

Mixer Hole	ø35mm
WELS Rating	6 Star
WELS Reg No	T40482
WELS L/MIN	4.5L /Min

Strengthening Plate Included For Mixer Stability On All Sinks

Experience, *the difference.*



LINSOL.COM.AU

☎ 1300 546 765

@ info@linsol.com.au

✉ PO Box 88, Coniston NSW 2500

Warranty is for domestic use only. All information is correct as at time of writing. The actual product may vary slightly and sizes may be scaled up or down