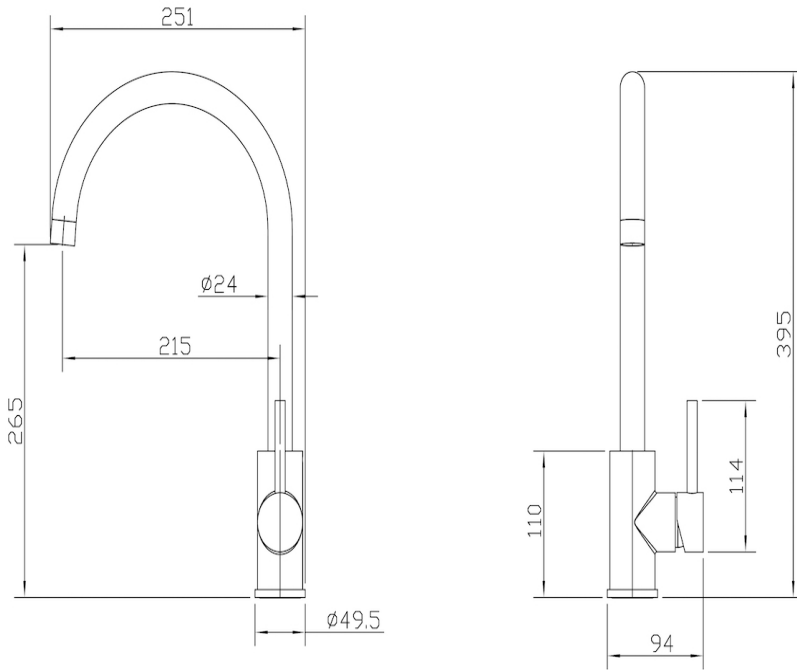


Louis Sink Mixer

Gunmetal



Product Specifications

Code	LOU-GM-02	Mixer Hole	ø35mm
Barcode	9339897008617	WELS Rating	6 Star
Finish	Gunmetal	WELS Reg No	T40482
Material	304 Stainless Steel	WELS L/MIN	4.5L /Min
Cartridge	35mm	Strengthening Plate Included For Mixer Stability On All Sinks	

Experience, *the difference.*



LINSOL.COM.AU

☎ 1300 546 765

@ info@linsol.com.au

✉ PO Box 88, Coniston NSW 2500

Warranty is for domestic use only. All information is correct as at time of writing.
The actual product may vary slightly and sizes may be scaled up or down