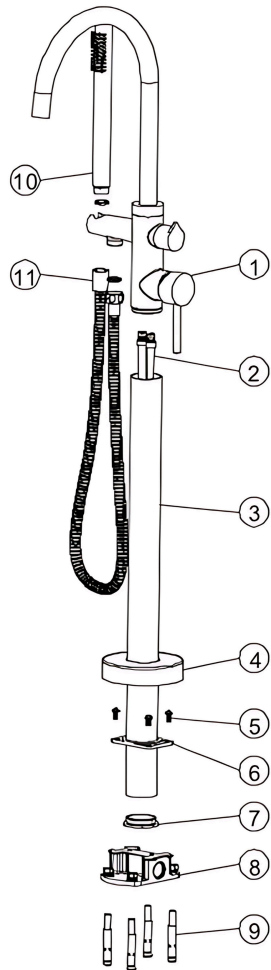


Freestanding Bath Filler

Installation Guide

Nure Freestanding Bath Filler Installation Guide



Product Parts

1. Mixer Body
2. Water inlet Pipes
3. Body Shaft
4. Cover Plate
5. Fixing Screws
6. Pressure Plate
7. Joint Plate
8. Concealed Body
9. Dyna Bolts
10. Hand Shower
11. Hose

Important Information

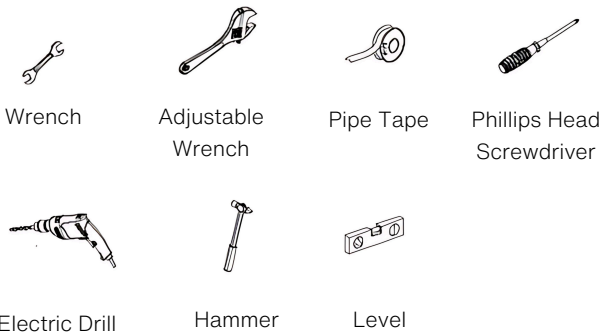
- All these instructions serve as a guide only and must be installed by a licenced plumber.
- All supply lines must be flushed prior to installation, removing any foreign matter.
- Stop valves must be installed as in accordance with the regulatory authorities.
- Suitable for installation with most instantaneous hot water heaters
- Not suitable for gravity fed hot water systems

Maximum water pressure 500kPa

Maximum water temperature 70 degrees celcius

On high pressure areas where the pressure exceeds the maximum water pressure as noted above, pressure limiting valves must be installed.

Recommended Tools

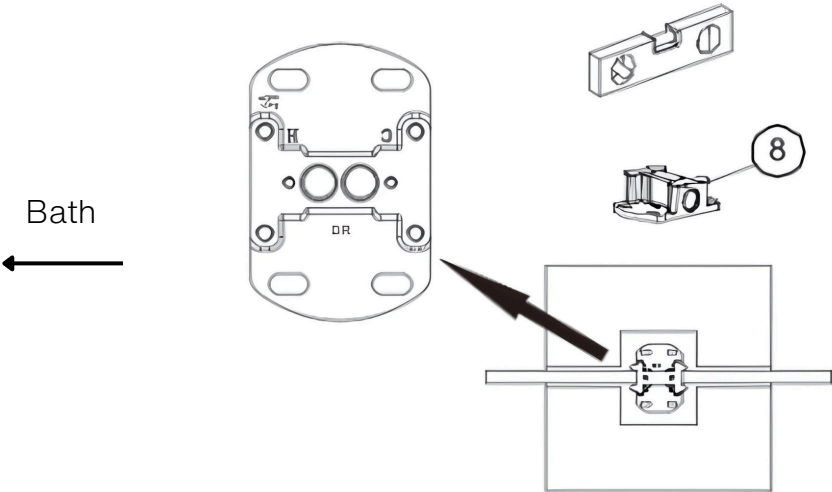


Experience, *the difference.*

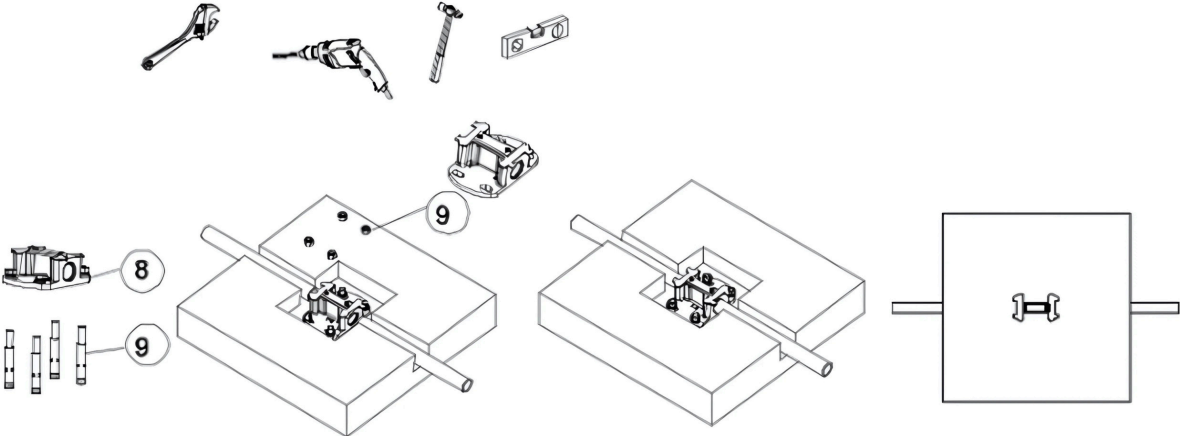
Installation Instructions



Step 1



Step 2

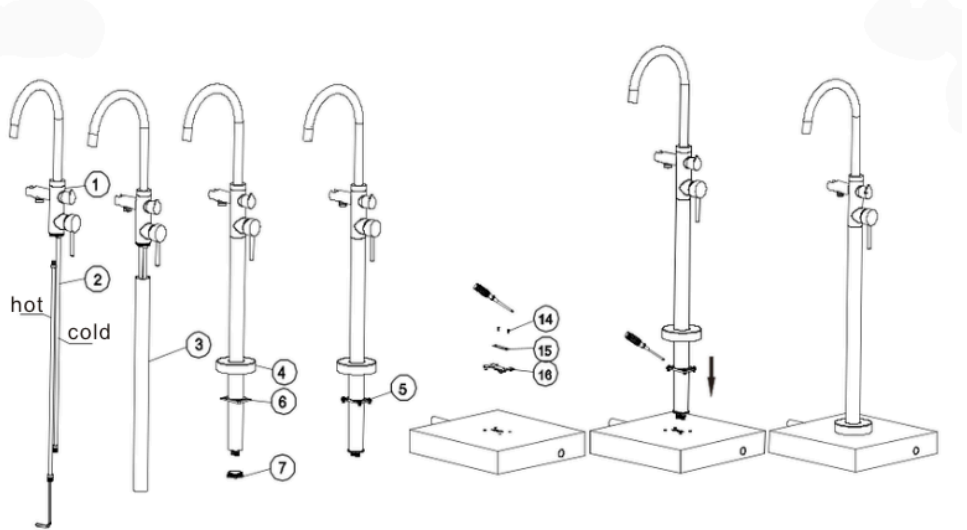


Experience, *the difference.*

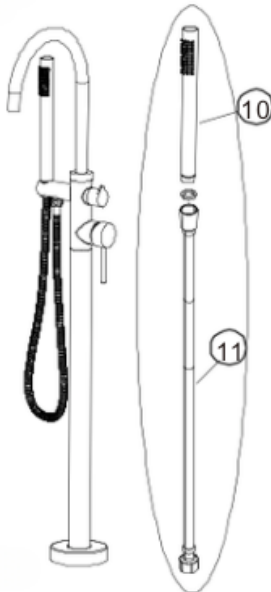
Installation Instructions



Step 3



Step 4



Experience, the difference.

 LINSOL

Experience, *the difference.*