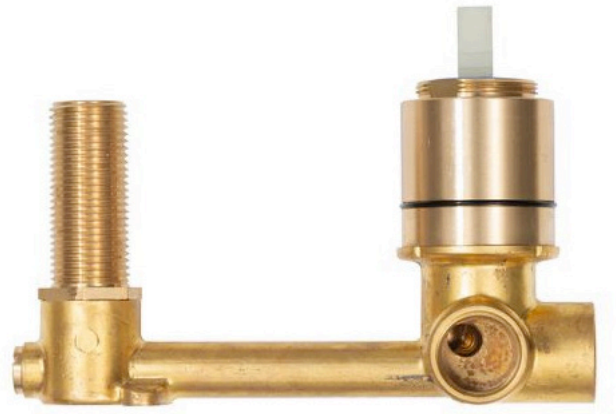
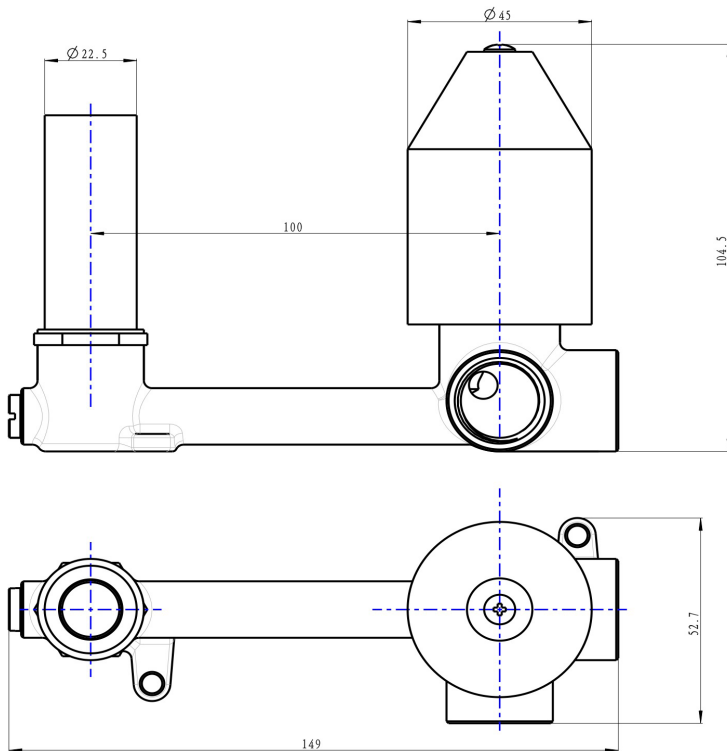


Multifit Universal Wall Basin Or Bath Mixer Body



Product Specifications

Code	UNI-200	Material	Low Lead Brass
Barcode	9339897016100	To Suit	Capo, Curva and Zia Trim Kits

Experience, *the difference.*



LINSOL.COM.AU

☎ 1300 546 765

@ info@linsol.com.au

✉ PO Box 88, Coniston NSW 2500

Warranty is for domestic use only. All information is correct as at time of writing. The actual product may vary slightly and sizes may be scaled up or down