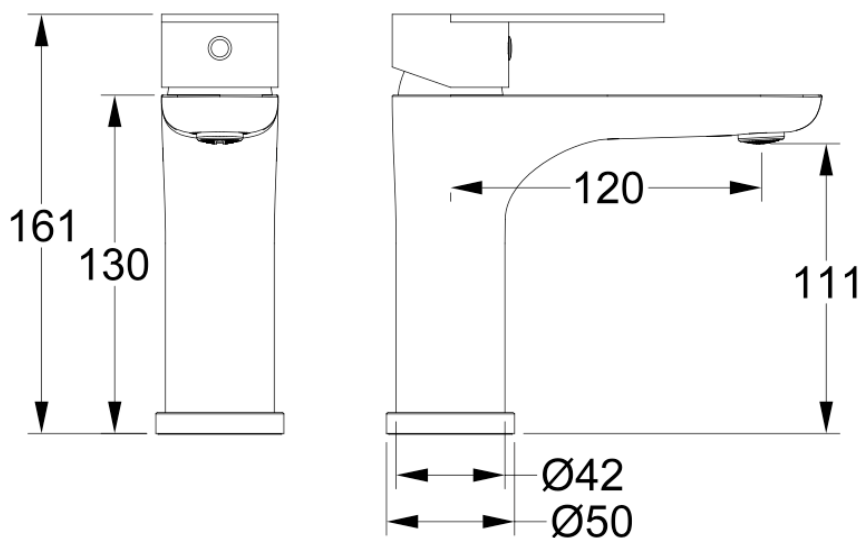


Vena Basin Mixer

Brushed Nickel



Product Specifications

Code	VEN-01-BN
Barcode	9339897015912
Material	304 Stainless Steel
Finish	Brushed Nickel

Cartridge	35mm
WELS Reg No	T42267
WELS Rating	5 Star
WELS L/Min	6L /Min

Experience, the difference.



LINSOL.COM.AU

☎ 1300 546 765

@ info@linsol.com.au

✉ PO Box 88, Coniston NSW 2500

Warranty is for domestic use only. All information is correct as at time of writing.
The actual product may vary slightly and sizes may be scaled up or down