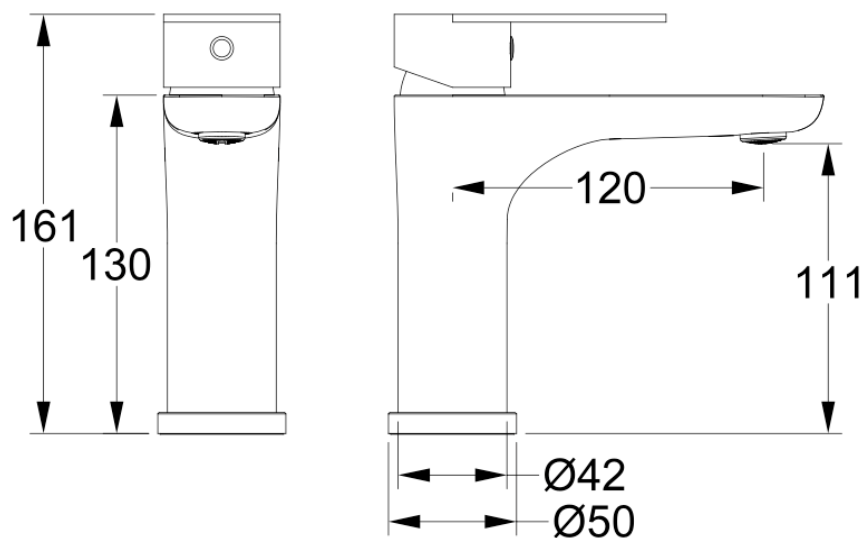


Vena Basin Mixer

Chrome



Product Specifications

| | |
|----------|---------------------|
| Code | VEN-01-CH |
| Barcode | 9339897015899 |
| Material | 304 Stainless Steel |
| Finish | Chrome |

| | |
|-------------|---------|
| Cartridge | 35mm |
| WELS Reg No | T42267 |
| WELS Rating | 5 Star |
| WELS L/Min | 6L /Min |

Experience, *the difference.*



LINSOL.COM.AU

☎ 1300 546 765

@ info@linsol.com.au

✉ PO Box 88, Coniston NSW 2500

Warranty is for domestic use only. All information is correct as at time of writing.
The actual product may vary slightly and sizes may be scaled up or down