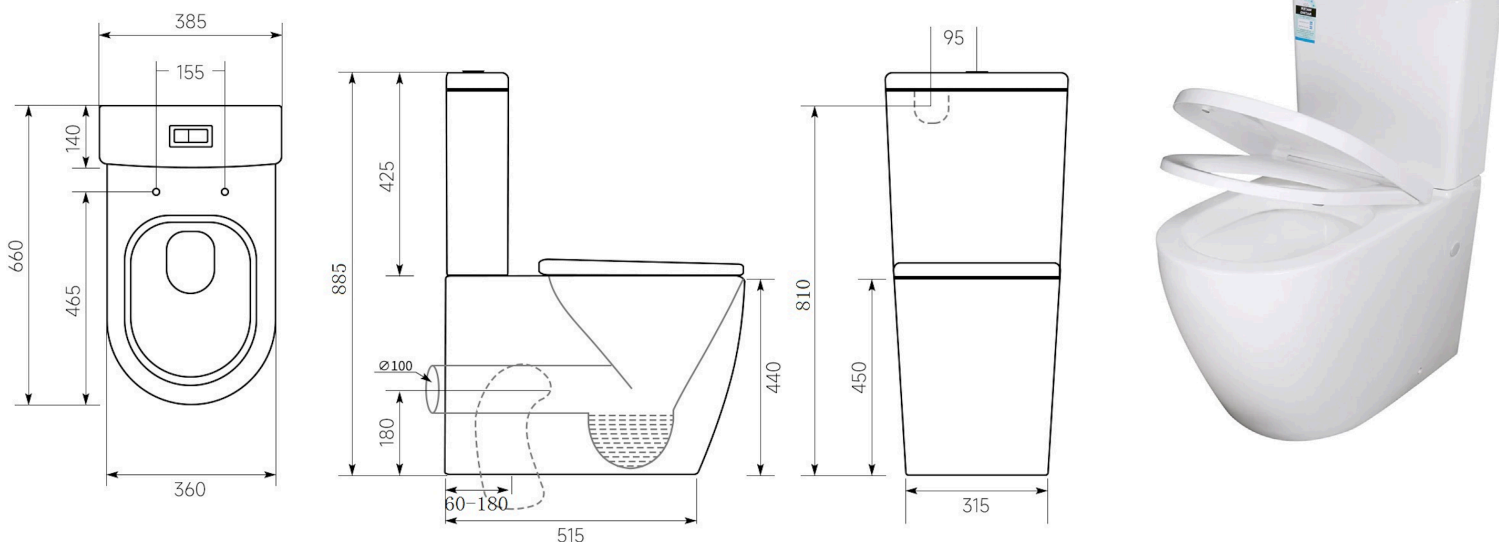


Viva Ambulant Height BTW Toilet With Rimless Flush

Gloss White



Product Specifications

Code	VIV-01-BTW-AMB
Barcode	9339897019057
Material	Ceramic
P Trap	180mm
S Trap	60-180mm Connector Included

Inlet	Back or Bottom
Size	665 x 390 x 890mm
WELS Rating	4 Star
WELS Reg No	L07522
WELS L/MIN	3.5L /Min

Experience, *the difference.*



LINSOL.COM.AU

☎ 1300 546 765

@ info@linsol.com.au

✉ PO Box 88, Coniston NSW 2500

Warranty is for domestic use only. All information is correct as at time of writing. The actual product may vary slightly and sizes may be scaled up or down