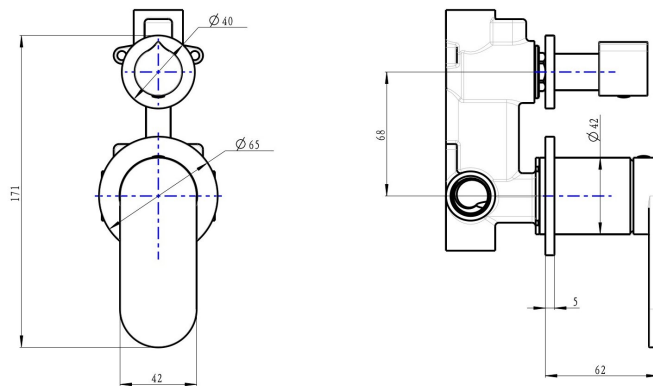


Capo 2-Plate Wall Mixer with Divertor



Product Specifications

Code:	CAP-04-2P-BN
Finish:	Brushed Nickel
Barcode:	9339897014311
Cartridge:	Kerox 35mm Cartridge
Spindle/Divertor:	1/4 Turn Ceramic Disc
Primary Material:	Low Lead Brass
Technical Features:	Body: UNI-300
Special Features:	Spare Parts Available



CAP-04-2P-CH
Chrome
Electroplate



CAP-04-2P-BB
Brushed Brass
PVD



CAP-04-2P-BN
Brushed Nickel
PVD



CAP-04-2P-GM
Gunmetal
PVD



CAP-04-2P-MB
Matte Black
Electroplate



Lead Free

Experience, the difference.



LINSOL.COM.AU

☎ 1300 546 765

✉ info@linsol.com.au

✉ PO Box 88, Coniston NSW 2500

All information is correct at time of writing. The actual product may vary slightly and sizes may be scaled up or down. Warranty is for domestic use only. For warranty & care information please visit linsol.com.au/warranty