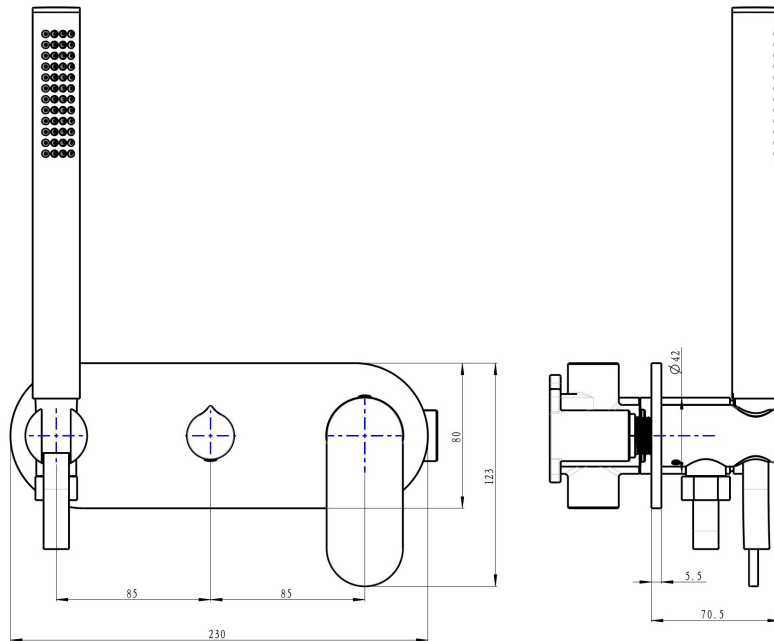


Capo 1-Plate Wall Mixer with Hand Shower



Product Specifications

Code:	CAP-07-1P-BB
Finish:	Brushed Brass
Barcode:	9339897014021
WELS Star:	3 Star
WELS Rating:	8.5L/Min
WELS Reg:	S17733
Cartridge:	Kerox 35mm Cartridge
Spindle/Divertor:	1/4 Turn Ceramic Disc
Primary Material:	Low Lead Brass
Technical Features:	Body: UNI-400
Special Features:	Spare Parts Available



CAP-07-1P-GM
Gunmetal
PVD



CAP-07-1P-MB
Matte Black
Electroplate



CAP-07-1P-CH
Chrome
Electroplate



CAP-07-1P-BB
Brushed Brass
PVD



CAP-07-1P-BN
Brushed Nickel
PVD



Lead Free

Experience, *the difference.*



LINSOL.COM.AU

☎ 1300 546 765

@ info@linsol.com.au

✉ PO Box 88, Coniston NSW 2500

All information is correct at time of writing. The actual product may vary slightly and sizes may be scaled up or down. Warranty is for domestic use only. For warranty & care information please visit linsol.com.au/warranty