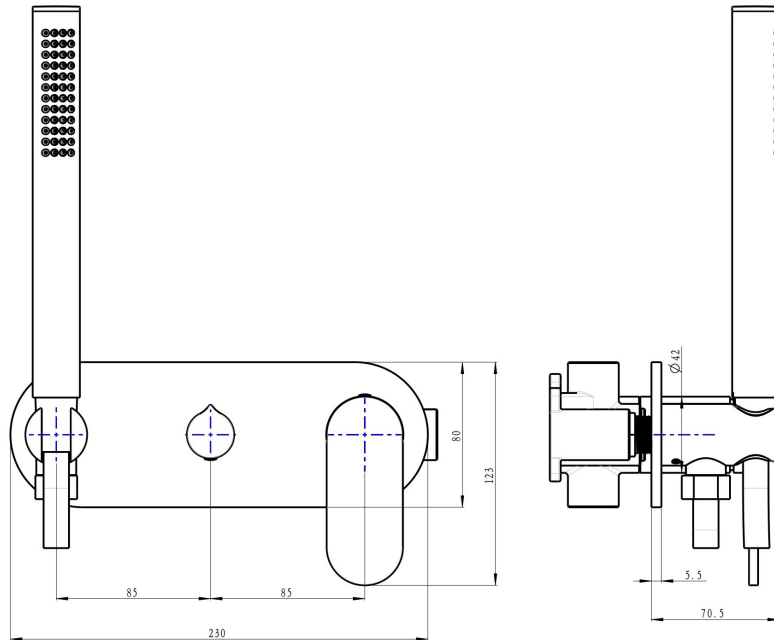


# Capo 1-Plate Wall Mixer with Hand Shower



## Product Specifications

Code:	CAP-07-1P-GM
Finish:	Gunmetal
Barcode:	9339897014038
WELS Star:	3 Star
WELS Rating:	8.5L/Min
Cartridge:	Kerox 35mm Cartridge
Spindle/Divertor:	1/4 Turn Ceramic Disc
Primary Material:	Low Lead Brass
Technical Features:	Body: UNI-400
Special Features:	Spare Parts Available



CAP-07-1P-GM  
Gunmetal  
PVD



CAP-07-1P-MB  
Matte Black  
Electroplate



CAP-07-1P-CH  
Chrome  
Electroplate



CAP-07-1P-BB  
Brushed Brass  
PVD



CAP-07-1P-BN  
Brushed Nickel  
PVD



Lead Free

Experience, *the difference.*



LINSOL.COM.AU

☎ 1300 546 765

✉ info@linsol.com.au

✉ PO Box 88, Coniston NSW 2500

All information is correct at time of writing. The actual product may vary slightly and sizes may be scaled up or down. Warranty is for domestic use only. For warranty & care information please visit [linsol.com.au/warranty](http://linsol.com.au/warranty)