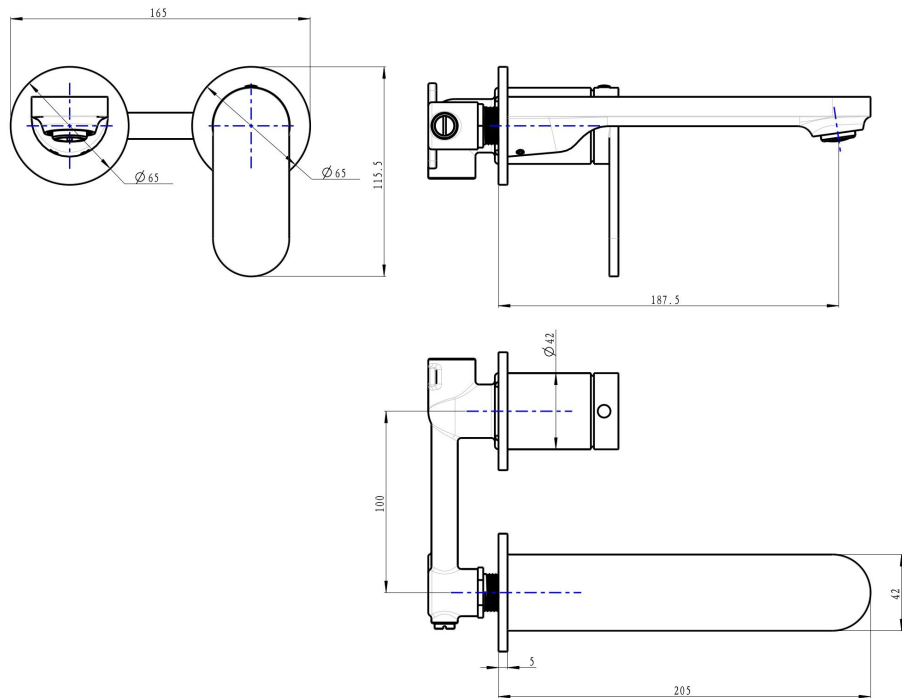


Capo 2-Plate Wall Basin or Bath Mixer

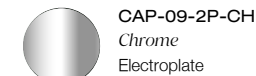


Product Specifications

Code:	CAP-09-2P-MB
Finish:	Matte Black
Barcode:	9339897014601
WELS Star:	5 Star
WELS Rating:	5L/Min
WELS Reg:	T42252
Cartridge:	Kerox 35mm Cartridge
Primary Material:	Low Lead Brass
Technical Features:	Body: UNI-200
Special Features:	Spare Parts Available



CAP-09-2P-MB
Matte Black
Electroplate



CAP-09-2P-CH
Chrome
Electroplate



CAP-09-2P-BB
Brushed Brass
PVD



CAP-09-2P-BN
Brushed Nickel
PVD



CAP-09-2P-GM
Gunmetal
PVD



Lead Free

Experience, the difference.



LINSOL.COM.AU

☎ 1300 546 765

✉ info@linsol.com.au

✉ PO Box 88, Coniston NSW 2500

All information is correct at time of writing. The actual product may vary slightly and sizes may be scaled up or down. Warranty is for domestic use only. For warranty & care information please visit linsol.com.au/warranty