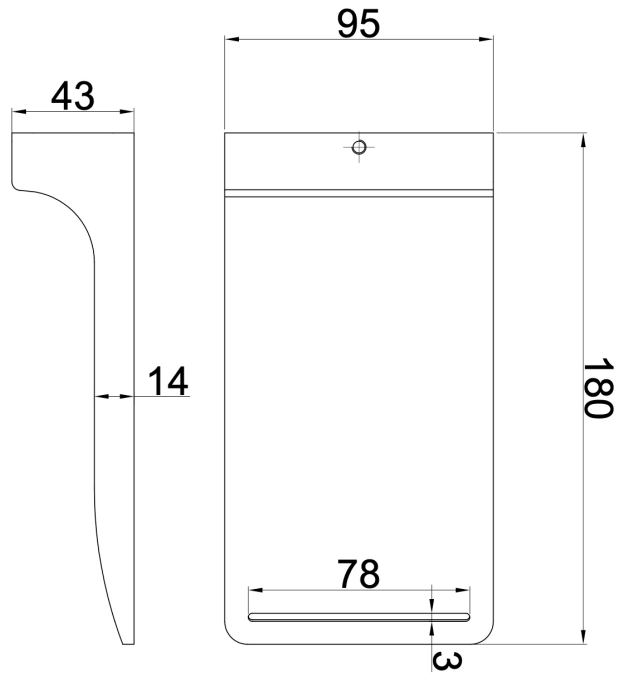


Cascada S2 Waterfall Bath Spout



Product Specifications

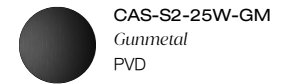
Code: CAS-S2-25W-BN
Finish: Brushed Nickel
Barcode: 9339897011013
Primary Material: 304 Stainless Steel



CAS-S2-25W-BB
Brushed Brass
PVD



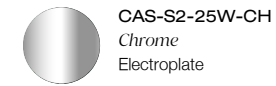
CAS-S2-25W-BN
Brushed Nickel
Raw Brush



CAS-S2-25W-GM
Gunmetal
PVD



CAS-S2-25W-MB
Matte Black
Electroplate



CAS-S2-25W-CH
Chrome
Electroplate

Experience, *the difference.*



LINSOL.COM.AU

☎ 1300 546 765

✉ info@linsol.com.au

✉ PO Box 88, Coniston NSW 2500

All information is correct at time of writing. The actual product may vary slightly and sizes may be scaled up or down. Warranty is for domestic use only. For warranty & care information please visit linsol.com.au/warranty