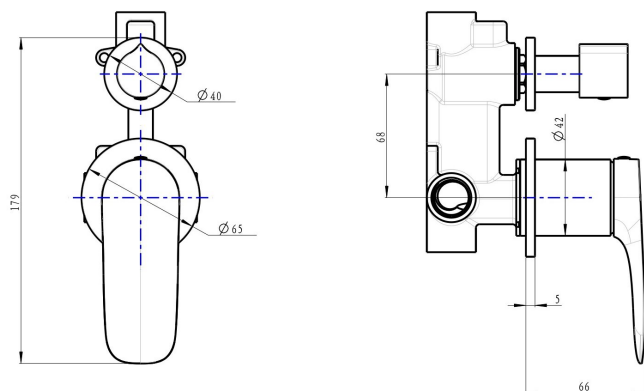


# Curva 2-Plate Wall Mixer with Divertor



## Product Specifications

Code:	CUR-04-2P-CH
Finish:	Chrome
Barcode:	9339897015196
Cartridge:	Kerox 35mm Cartridge
Spindle/Divertor:	1/4 Turn Ceramic Disc
Primary Material:	Low Lead Brass
Technical Features:	Body: UNI-300
Special Features:	Spare Parts Available



CUR-04-2P-BB  
Brushed Brass  
PVD



CUR-04-2P-MB  
Matte Black  
Electroplate



CUR-04-2P-BN  
Brushed Nickel  
PVD



CUR-04-2P-GM  
Gunmetal  
PVD



CUR-04-2P-CH  
Chrome  
Electroplate



Lead Free

Experience, the difference.



LINSOL.COM.AU

☎ 1300 546 765

✉ info@linsol.com.au

✉ PO Box 88, Coniston NSW 2500

All information is correct at time of writing. The actual product may vary slightly and sizes may be scaled up or down. Warranty is for domestic use only. For warranty & care information please visit [linsol.com.au/warranty](http://linsol.com.au/warranty)