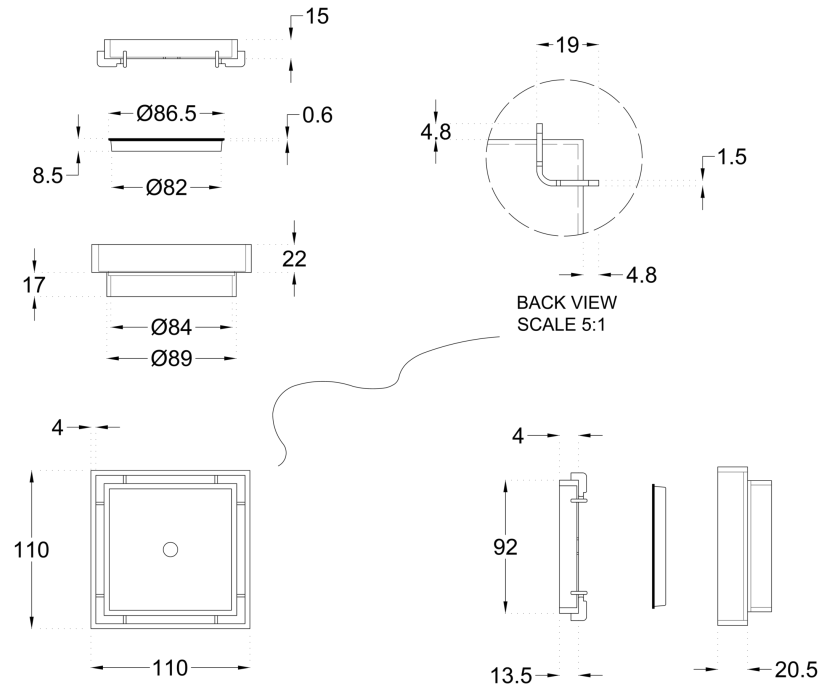


Ezyflow 110mm Tile Insert Square Waste DN89



Product Specifications

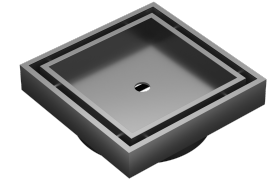
Code: EZY-11-TS-GM

Finish: Gunmetal

Barcode: 9339897007795

Primary Material: 316 Stainless Steel

Technical Features: Included: Outlet Screen
80mm Outlet Size



EZY-11-TS-AB
Aged Bronze
PVD



EZY-11-TS-GM
Gunmetal
PVD



EZY-11-TS-MB
Matte Black
Electroplate



EZY-11-TS-BB
Brushed Brass
PVD



EZY-11-TS-BR
Brushed Nickel
Raw Brush



Experience, *the difference.*



LINSOL.COM.AU

☎ 1300 546 765

@ info@linsol.com.au

✉ PO Box 88, Coniston NSW 2500

All information is correct at time of writing. The actual product may vary slightly and sizes may be scaled up or down. Warranty is for domestic use only. For warranty & care information please visit linsol.com.au/warranty