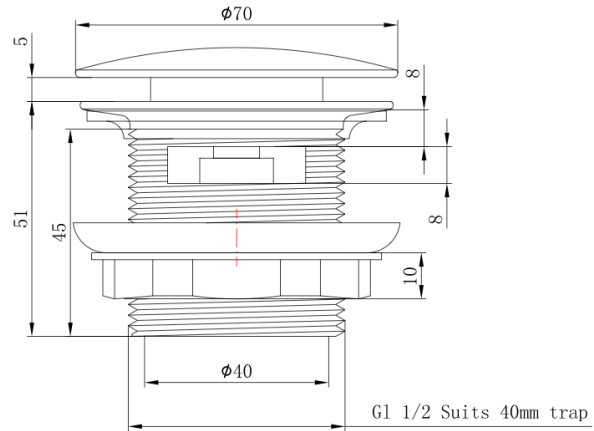


Ezyflow 40mm Pop-Up Plug & Waste with Overflow



Product Specifications

Code: EZY-OF40-51-CH

Finish: Chrome

Barcode: 9339897024037

Primary Material: Standard Brass

Technical Features: Great for Low Clearance

Special Features: Spare Parts Available
Pull Out Cartridge



EZY-OF40-51-AB
Aged Bronze
PVD



EZY-OF40-51-MB
Matte Black
Powdercoat



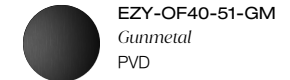
EZY-OF40-51-BB
Brushed Brass
PVD



EZY-OF40-51-BN
Brushed Nickel
PVD



EZY-OF40-51-CH
Chrome
Electroplate



EZY-OF40-51-GM
Gunmetal
PVD

Experience, *the difference.*



LINSOL.COM.AU

☎ 1300 546 765

✉ info@linsol.com.au

✉ PO Box 88, Coniston NSW 2500

All information is correct at time of writing. The actual product may vary slightly and sizes may be scaled up or down. Warranty is for domestic use only. For warranty & care information please visit linsol.com.au/warranty