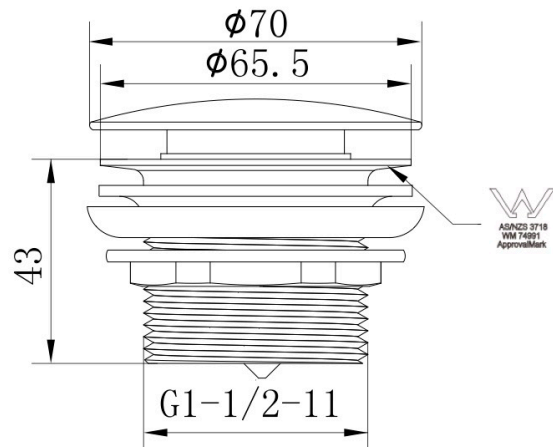


Ezyflow 40mm Pop-Up Plug & Waste



Product Specifications

Code: EZY-ST40-43-GM

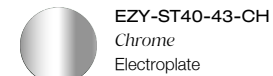
Finish: Gunmetal

Barcode: 9339897023993

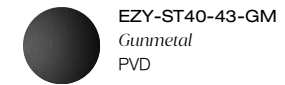
Primary Material: Standard Brass

Technical Features: Great for Low Clearance

Special Features: Spare Parts Available
Pull Out Cartridge



EZY-ST40-43-CH
Chrome
Electroplate



EZY-ST40-43-GM
Gunmetal
PVD



EZY-ST40-43-MB
Matte Black
Powdercoat



EZY-ST40-43-BN
Brushed Nickel
PVD



EZY-ST40-43-BB
Brushed Brass
PVD

Experience, *the difference.*



LINSOL.COM.AU

☎ 1300 546 765

@ info@linsol.com.au

✉ PO Box 88, Coniston NSW 2500

All information is correct at time of writing. The actual product may vary slightly and sizes may be scaled up or down. Warranty is for domestic use only. For warranty & care information please visit linsol.com.au/warranty