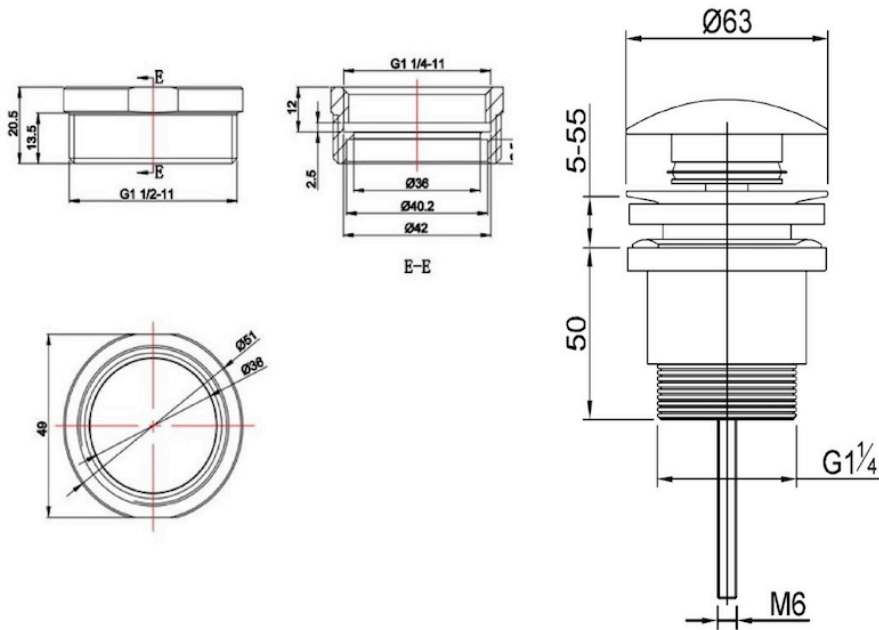


Ezyflow 32/40mm Universal Pop-Up Plug & Waste with Optional Overflow



Product Specifications

Code: EZY-U324-BN
 Finish: Brushed Nickel
 Barcode: 9339897023924
 Primary Material: Standard Brass
 Special Features: Spare Parts Available
 Pull Out Cartridge



EZY-U324-AB
 Aged Bronze
 PVD



EZY-U324-CH
 Chrome
 Electroplate



EZY-U324-GM
 Gunmetal
 PVD



EZY-U324-MB
 Matte Black
 Powdercoat



EZY-U324-BB
 Brushed Brass
 PVD



EZY-U324-BN
 Brushed Nickel
 PVD

Experience, the difference.



LINSOL.COM.AU

☎ 1300 546 765

✉ info@linsol.com.au

✉ PO Box 88, Coniston NSW 2500

All information is correct at time of writing. The actual product may vary slightly and sizes may be scaled up or down. Warranty is for domestic use only. For warranty & care information please visit linsol.com.au/warranty