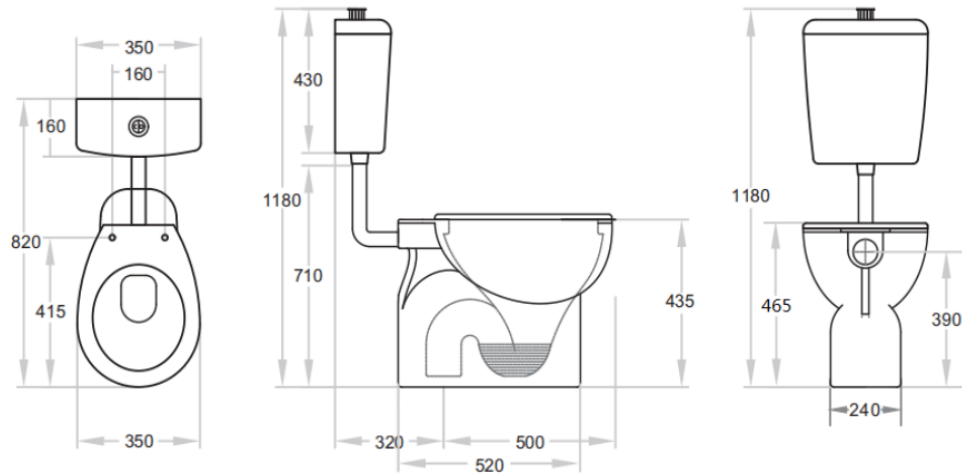


Florida Care Link Toilet with Backrest



Product Specifications

Code: FLO-01-LINK
Finish: Gloss White
Barcode: 9339897019019



Experience, *the difference.*



LINSOL.COM.AU

☎ 1300 546 765

✉ info@linsol.com.au

✉ PO Box 88, Coniston NSW 2500

All information is correct at time of writing. The actual product may vary slightly and sizes may be scaled up or down. Warranty is for domestic use only. For warranty & care information please visit linsol.com.au/warranty