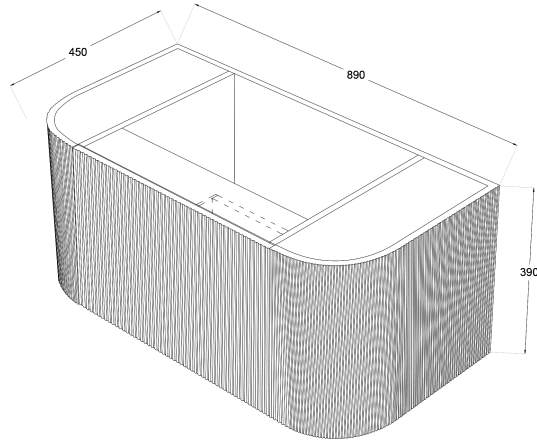
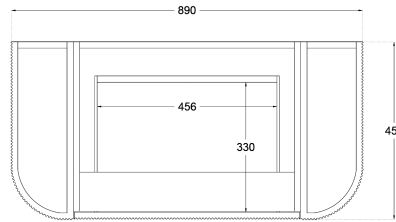


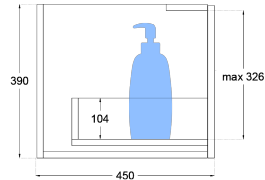
Mavrick Fluted 900mm Wall Hung Vanity



TOP VIEW: DRAWERS



SIDE VIEW:
DRAWER STORAGE



Product Specifications

Code: FLU-900-1DRW-SW

Finish: Satin White

Primary Material: White Melamine

Technical Features: Drawers: 1

Mounting: Wall Hung

Included: Single Bowl Vanity Stone

Special Features:

Curved White Stone

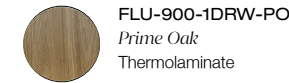
Soft Close

Push to Open

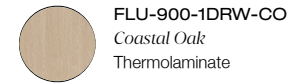
Hand Made



FLU-900-1DRW-BB
Bottega Black
Thermolaminate



FLU-900-1DRW-PO
Prime Oak
Thermolaminate



FLU-900-1DRW-CO
Coastal Oak
Thermolaminate



FLU-900-1DRW-SW
Satin White
Thermolaminate

Experience, *the difference.*



LINSOL.COM.AU

☎ 1300 546 765

@ info@linsol.com.au

✉ PO Box 88, Coniston NSW 2500

All information is correct at time of writing. The actual product may vary slightly and sizes may be scaled up or down. Warranty is for domestic use only. For warranty & care information please visit linsol.com.au/warranty