

Heritage Shaker 1500mm Wall Hung Vanity Double Bowl



Product Specifications

Code: HER-1500-4DRW-DB-TR

Finish: Tranquil Retreat

Primary Material: White Melamine

Technical Features: Drawers: 4

Mounting: Wall Hung

Included: Double Bowl Vanity Stone

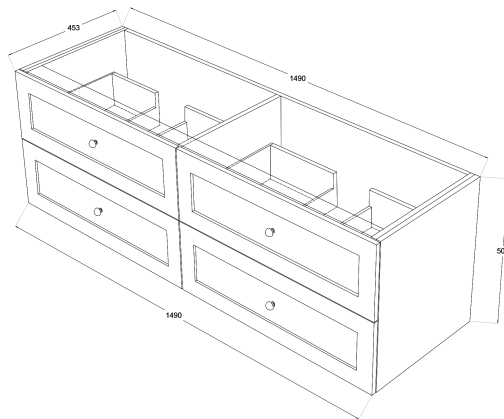
Special Features:

Double Carcass

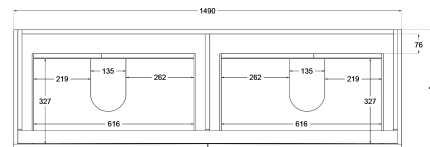
Standard White Stone

Soft Close

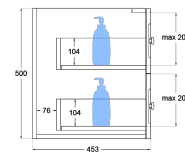
Hand Made



TOP VIEW: DRAWERS



SIDE VIEW: DRAWER STORAGE



HER-1500-4DRW-DB-TR
Tranquil Retreat
Polyurethane Spray Paint



HER-1500-4DRW-DB-GS
Sage Green
Polyurethane Spray Paint



HER-1500-4DRW-DB-FN
French Navy
Polyurethane Spray Paint



HER-1500-4DRW-DB-MP
Matte Black
Polyurethane Spray Paint



HER-1500-4DRW-DB-SW
Satin White
Polyurethane Spray Paint

Experience, *the difference.*



LINSOL.COM.AU

☎ 1300 546 765

@ info@linsol.com.au

✉ PO Box 88, Coniston NSW 2500

All information is correct at time of writing. The actual product may vary slightly and sizes may be scaled up or down. Warranty is for domestic use only. For warranty & care information please visit linsol.com.au/warranty