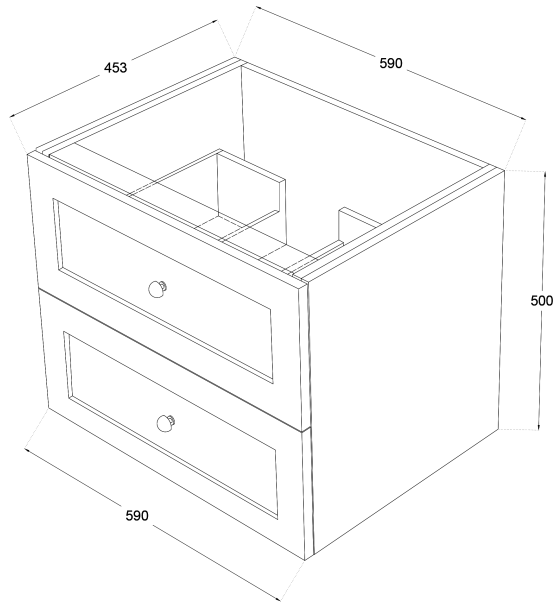
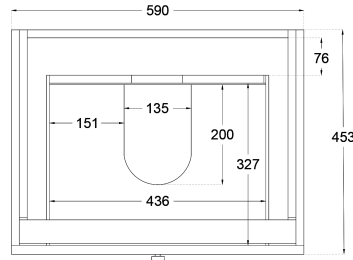


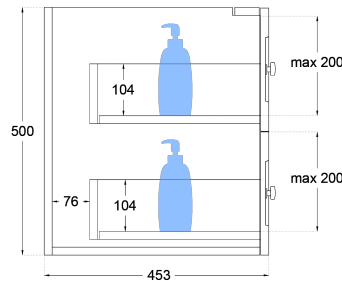
Heritage Shaker 600mm Wall Hung Vanity



TOP VIEW: DRAWERS



SIDE VIEW:
DRAWER STORAGE



Product Specifications

Code: HER-600-2DRW-MB
Finish: Matte Black
Primary Material: White Melamine
Technical Features: Drawers: 2
 Mounting: Wall Hung
 Included: Single Bowl Vanity Stone
Special Features: Double Carcass
 Standard White Stone
 Soft Close
 Hand Made



HER-600-2DRW-TR
Tranquil Retreat
 Polyurethane Spray Paint



HER-600-2DRW-GS
Sage Green
 Polyurethane Spray Paint



HER-600-2DRW-FN
French Navy
 Polyurethane Spray Paint



HER-600-2DRW-MB
Matte Black
 Polyurethane Spray Paint



HER-600-2DRW-SW
Satin White
 Polyurethane Spray Paint

Experience, *the difference.*



LINSOL.COM.AU

☎ 1300 546 765

@ info@linsol.com.au

✉ PO Box 88, Coniston NSW 2500

All information is correct at time of writing. The actual product may vary slightly and sizes may be scaled up or down. Warranty is for domestic use only. For warranty & care information please visit linsol.com.au/warranty