

Heritage Shaker 900mm Wall Hung Vanity



Product Specifications

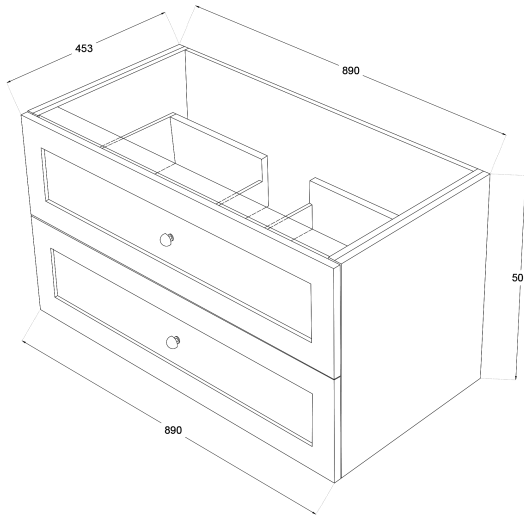
Code: HER-900-2DRW-SW

Finish: Satin White

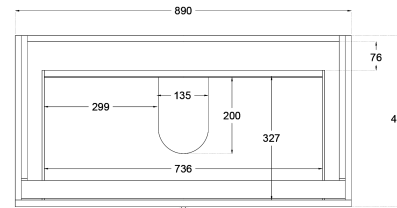
Primary Material: White Melamine

Technical Features: Drawers: 2
Mounting: Wall Hung
Included: Single Bowl Vanity Stone
Double Carcass
Standard White Stone
Soft Close
Hand Made

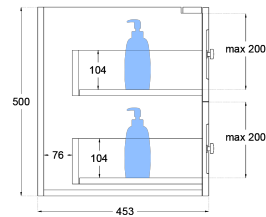
Special Features:



TOP VIEW: DRAWERS



SIDE VIEW:
DRAWER STORAGE



HER-900-2DRW-TR
Tranquil Retreat
Polyurethane Spray Paint



HER-900-2DRW-GS
Sage Green
Polyurethane Spray Paint



HER-900-2DRW-FN
French Navy
Polyurethane Spray Paint



HER-900-2DRW-MB
Matte Black
Polyurethane Spray Paint



HER-900-2DRW-SW
Satin White
Polyurethane Spray Paint

Experience, *the difference.*



LINSOL.COM.AU

☎ 1300 546 765

✉ info@linsol.com.au

✉ PO Box 88, Coniston NSW 2500

All information is correct at time of writing. The actual product may vary slightly and sizes may be scaled up or down. Warranty is for domestic use only. For warranty & care information please visit linsol.com.au/warranty