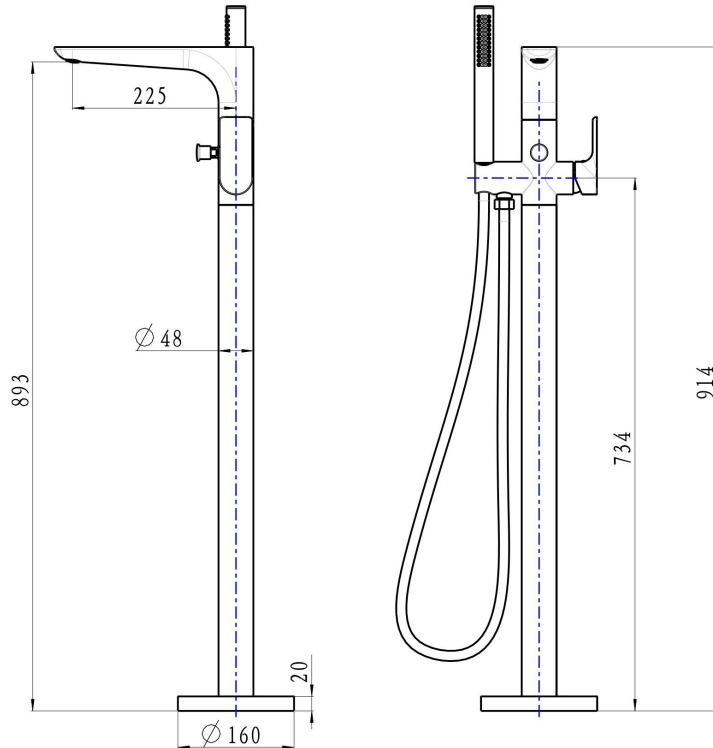


# Kyah Freestanding Bath Filler with Hand Shower



## Product Specifications

Code:	KYA-15F-BB
Finish:	Brushed Brass
Barcode:	9339897010467
WELS Star:	3 Star
WELS Rating:	8L/Min
Cartridge:	Kerox 40mm Cartridge
Spindle/Divertor:	Push Operated
Primary Material:	304 Stainless Steel
Technical Features:	Mounting: Freestanding Included: In Floor Body
Special Features:	Spare Parts Available



KYA-15F-CH  
Chrome  
Electroplate



KYA-15F-GM  
Gunmetal  
PVD



KYA-15F-MB  
Matte Black  
Electroplate



KYA-15F-BB  
Brushed Brass  
PVD



KYA-15F-BN  
Brushed Nickel  
Raw Brush

Experience, *the difference.*



LINSOL.COM.AU

☎ 1300 546 765

✉ info@linsol.com.au

✉ PO Box 88, Coniston NSW 2500

All information is correct at time of writing. The actual product may vary slightly and sizes may be scaled up or down. Warranty is for domestic use only. For warranty & care information please visit [linsol.com.au/warranty](http://linsol.com.au/warranty)