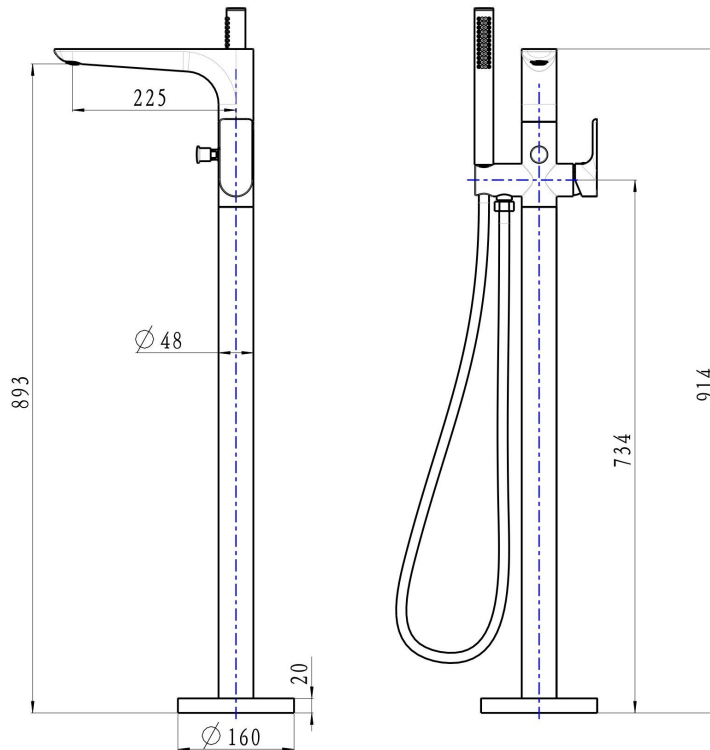


Kyah Freestanding Bath Filler with Hand Shower



Product Specifications

| | |
|---------------------|---|
| Code: | KYA-15F-BN |
| Finish: | Brushed Nickel |
| Barcode: | 9339897010450 |
| WELS Star: | 3 Star |
| WELS Rating: | 8L/Min |
| Cartridge: | Kerox 40mm Cartridge |
| Spindle/Divertor: | Push Operated |
| Primary Material: | 304 Stainless Steel |
| Technical Features: | Mounting: Freestanding Included: In Floor Body |
| Special Features: | Spare Parts Available |



KYA-15F-CH
Chrome
Electroplate



KYA-15F-GM
Gunmetal
PVD



KYA-15F-MB
Matte Black
Electroplate



KYA-15F-BB
Brushed Brass
PVD



KYA-15F-BN
Brushed Nickel
Raw Brush

Experience, *the difference.*



LINSOL.COM.AU

☎ 1300 546 765

✉ info@linsol.com.au

✉ PO Box 88, Coniston NSW 2500

All information is correct at time of writing. The actual product may vary slightly and sizes may be scaled up or down. Warranty is for domestic use only. For warranty & care information please visit linsol.com.au/warranty