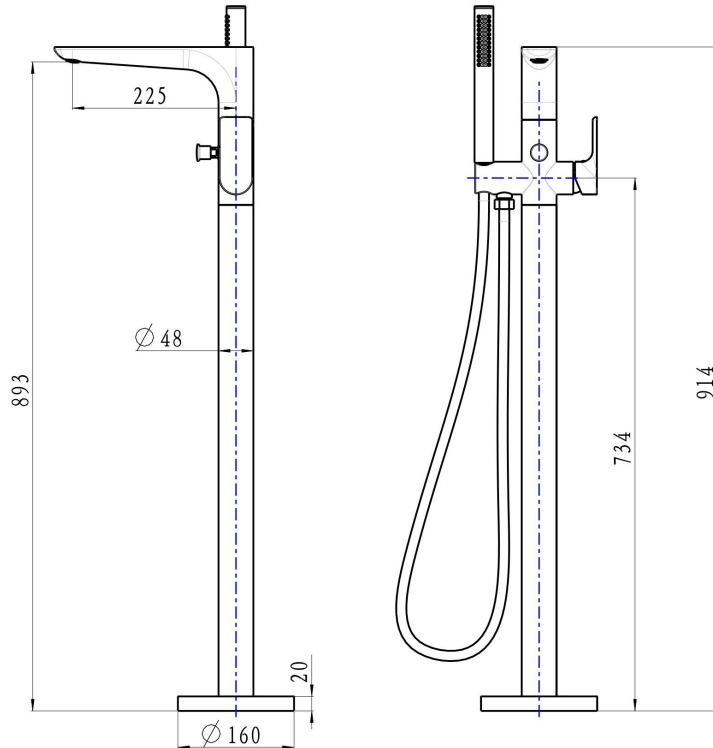


Kyah Freestanding Bath Filler with Hand Shower



Product Specifications

Code:	KYA-15F-MB
Finish:	Matte Black
Barcode:	9339897010443
WELS Star:	3 Star
WELS Rating:	8L/Min
Cartridge:	Kerox 40mm Cartridge
Spindle/Divertor:	Push Operated
Primary Material:	304 Stainless Steel
Technical Features:	Mounting: Freestanding Included: In Floor Body
Special Features:	Spare Parts Available



KYA-15F-CH
Chrome
Electroplate



KYA-15F-GM
Gunmetal
PVD



KYA-15F-MB
Matte Black
Electroplate



KYA-15F-BB
Brushed Brass
PVD



KYA-15F-BN
Brushed Nickel
Raw Brush

Experience, *the difference.*



LINSOL.COM.AU

☎ 1300 546 765

✉ info@linsol.com.au

✉ PO Box 88, Coniston NSW 2500

All information is correct at time of writing. The actual product may vary slightly and sizes may be scaled up or down. Warranty is for domestic use only. For warranty & care information please visit linsol.com.au/warranty