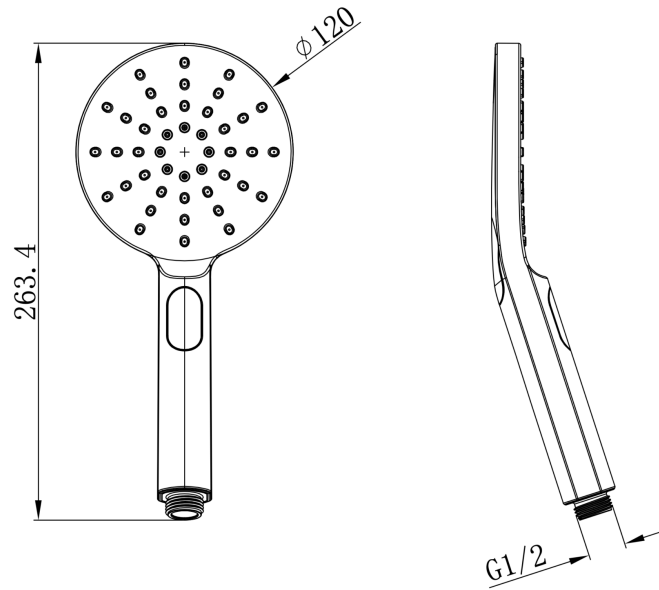




Oro Multifunction Handpiece



Product Specifications

Code:	ORO-34A-GM
Finish:	Gunmetal
Barcode:	9339897030809
WELS Star:	5 Star
WELS Rating:	6L/Min
Primary Material:	304 Stainless Steel
Special Features:	Optional Non-Return Valve



 ORO-34A-MB Matte Black Electroplate	 ORO-34A-GM Gunmetal PVD	 ORO-34A-CH Chrome Electroplate
 ORO-34A-BN Brushed Nickel Raw Brush	 ORO-34A-BB Brushed Brass PVD	 ORO-34A-AB Aged Bronze PVD

Experience, the difference.



LINSOL.COM.AU

☎ 1300 546 765

✉ info@linsol.com.au

✉ PO Box 88, Coniston NSW 2500

All information is correct at time of writing. The actual product may vary slightly and sizes may be scaled up or down. Warranty is for domestic use only. For warranty & care information please visit linsol.com.au/warranty