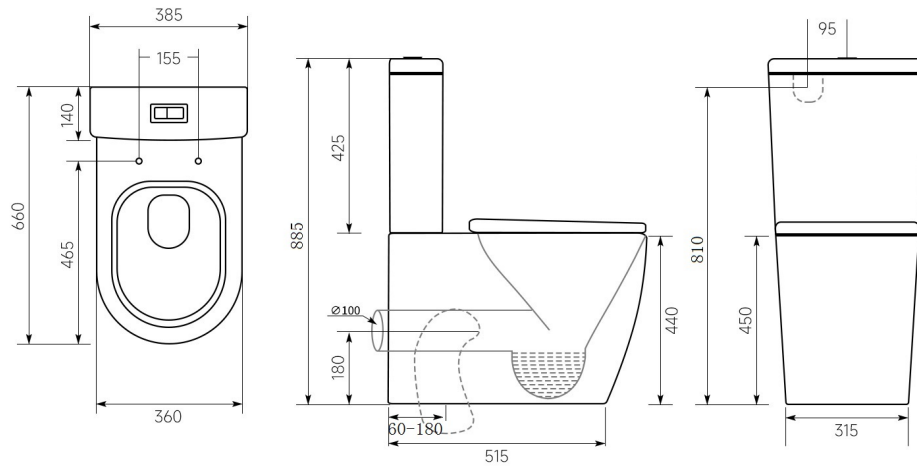


Viva Rimless Back to Wall Ambulant Toilet Suite



Product Specifications

Code:	VIV-01-BTW-AMB
Finish:	Gloss White
Barcode:	9339897019057
WELS Star:	4 Star
WELS Rating:	3.5L/Min



Experience, *the difference.*



LINSOL.COM.AU

☎ 1300 546 765

✉ info@linsol.com.au

✉ PO Box 88, Coniston NSW 2500

All information is correct at time of writing. The actual product may vary slightly and sizes may be scaled up or down. Warranty is for domestic use only. For warranty & care information please visit linsol.com.au/warranty